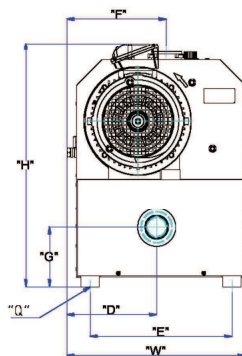
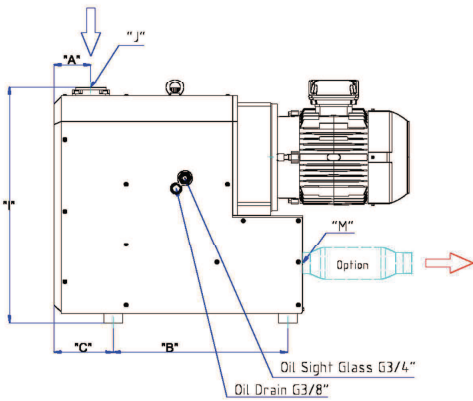
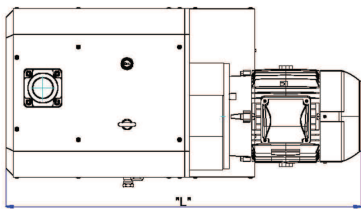
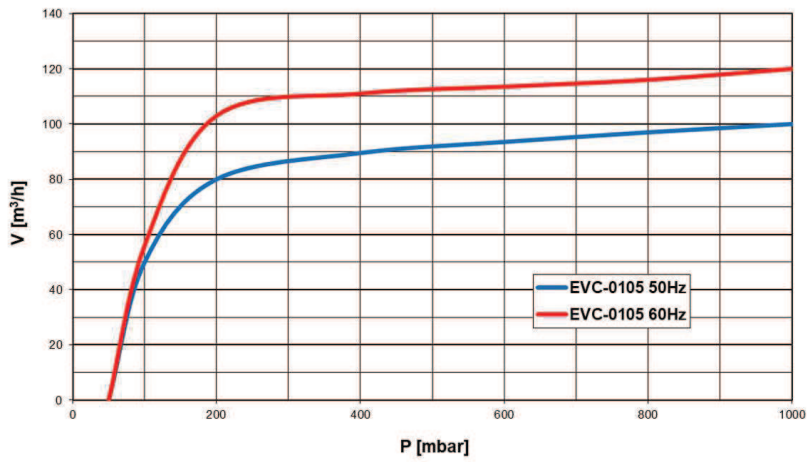


TYPE EVC-0105



Pumping speed curve



Dimensions	L	W	H	B	C	E	D	F	A	I	J	M	Q
EVC-0105 (2.2kW)	814	435	562	380	113	356	227	253	154	560	1-1/2"	1-1/2"	M10 tap

TYPE EVC-0105

Technical Data		EVC-0105	
		50 Hz	60 Hz
Nominal displacement	m ³ /h	100	120
Ultimate pressure max.	mbar	50	50
Pressure continuous running	mbar	140 to 1000	140 to 1000
Motor power	kW	2,2	3,0
Nominal speed	rpm	2850	3450
Noise level	dB(A)	72	75
Oil filling gear housing	ltr	0,5	0,5
Weight	kg	123	127
Admissible ambient temp.	°C	5 to 40	5 to 40
Connection	Inlet	G(BSP)	1½"
	Outlet	G(BSP)	1½"

Ordering Information	EVC-0105
Three phase motor 400/460V, 50/60Hz (IE3)	602051
No motor	602055
Other Voltages/Frequencies	Upon request
Vacuum regulate valve	10012000
Gasket set	10549000
Overhaul kit	10550000
Inlet dust filter, paper cartridge	602025
Gearbox oil type EV-Gear Oil-150	100500