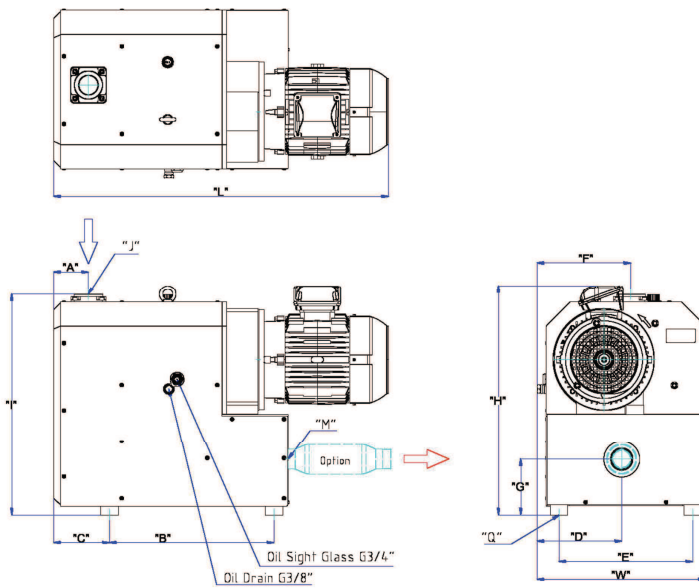
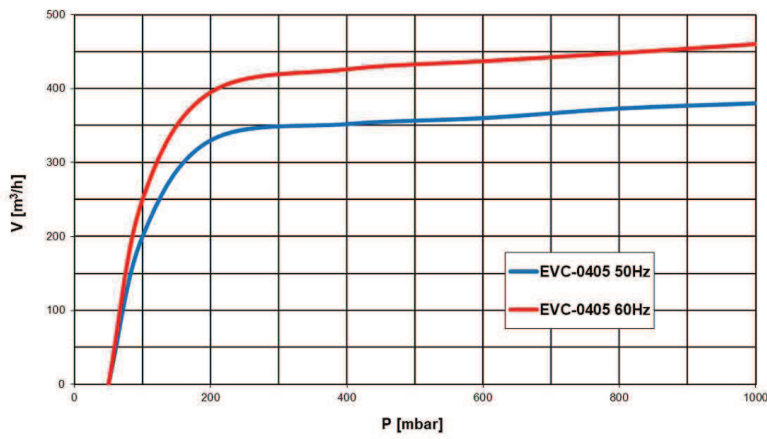




Pumping speed curve



Dimensions	L	W	H	A	B	C	D	E	F	G	I	J	M	Q
EVC-0405 (7,5/9,0kW)	1065/1105	856	752	179	502	222	306	460	390	178	695	3"	3"	M12 tap

TYPE EVC-0405

Technical Data		EVC-0405	
		50 Hz	60 Hz
Nominal displacement	m ³ /h	400	480
Ultimate pressure max.	mbar	50	50
Pressure continuous running	mbar	180 to 1000	180 to 1000
Motor power	kW	7,5	9,0
Nominal speed	rpm	2850	3450
Noise level	dB(A)	78	80
Oil filling gear housing	ltr	0,75	0,75
Weight	kg	364	371
Admissible ambient temp.	°C	5 to 40	5 to 40
Connection	Inlet	G(BSP)	3"
	Outlet	G(BSP)	3"

Ordering Information	EVC-0405
Three phase motor 400/460V, 50/60Hz (IE3)	606051
No motor	606055
Other Voltages/Frequencies	Upon request
Vacuum regulate valve	25512000
Gasket set	40049000
Overhaul kit	40050000
Inlet dust filter, paper cartridge	120800
Gearbox oil type EV-Gear Oil-150	100500