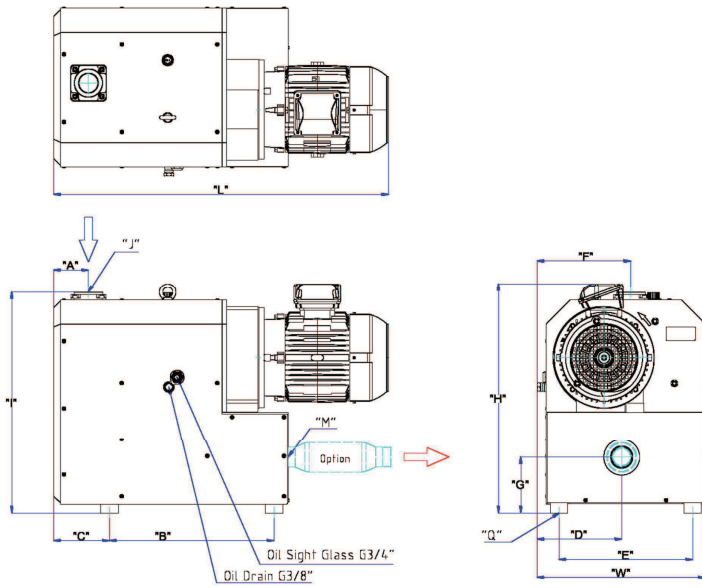
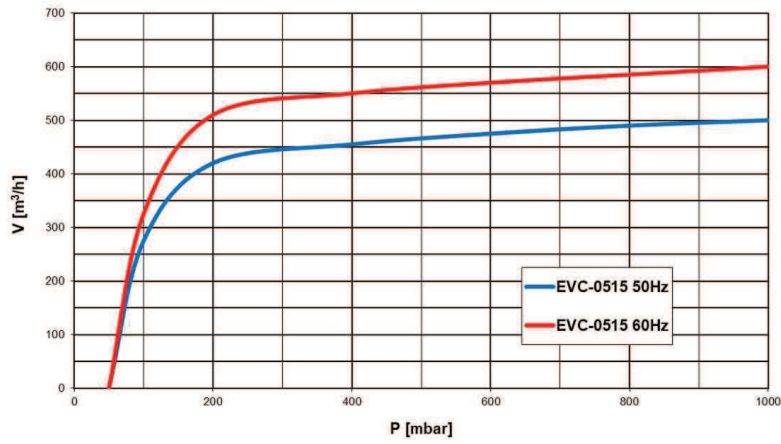


TYPE EVC-0515



Pumping speed curve



Dimensions	L	W	H	A	B	C	D	E	F	G	I	J	M	Q
EVC-0515 (9,0/11,0kW)	1120/1290	586	752	179	502	238	306	460	390	178	695	3"	3"	M12 tap

TYPE EVC-0515

Technical Data		EVC-0515	
		50 Hz	60 Hz
Nominal displacement	m ³ /h	500	600
Ultimate pressure max.	mbar	50	50
Pressure continuous running	mbar	180 to 1000	180 to 1000
Motor power	kW	9	11
Nominal speed	rpm	2850	3450
Noise level	dB(A)	80	82
Oil filling gear housing	ltr	0,75	0,75
Weight	kg	384	400
Admissible ambient temp.	°C	5 to 40	5 to 40
Connection	Inlet	G(BSP)	3"
	Outlet	G(BSP)	3"

Ordering Information	EVC-0515
Three phase motor 400/460V, 50/60Hz (IE3)	607051
No motor	607055
Other Voltages/Frequencies	Upon request
Vacuum regulate valve	25512000
Gasket set	40049000
Overhaul kit	40050000
Inlet dust filter, paper cartridge	120800
Gearbox oil type EV-Gear Oil-150	100500