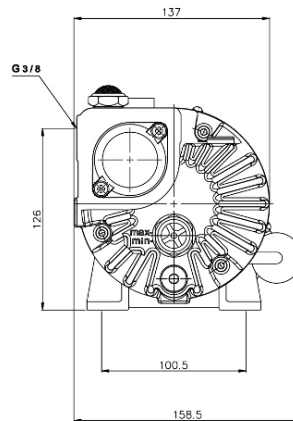
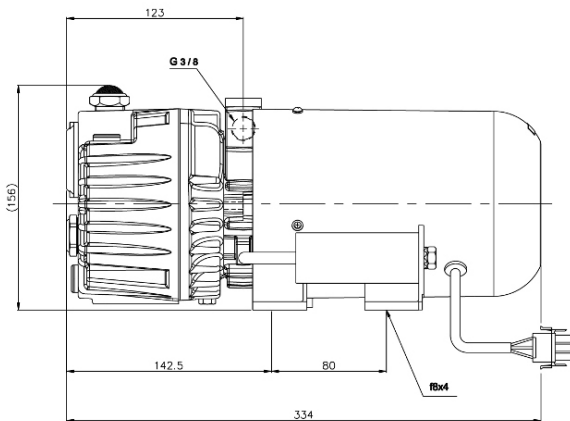
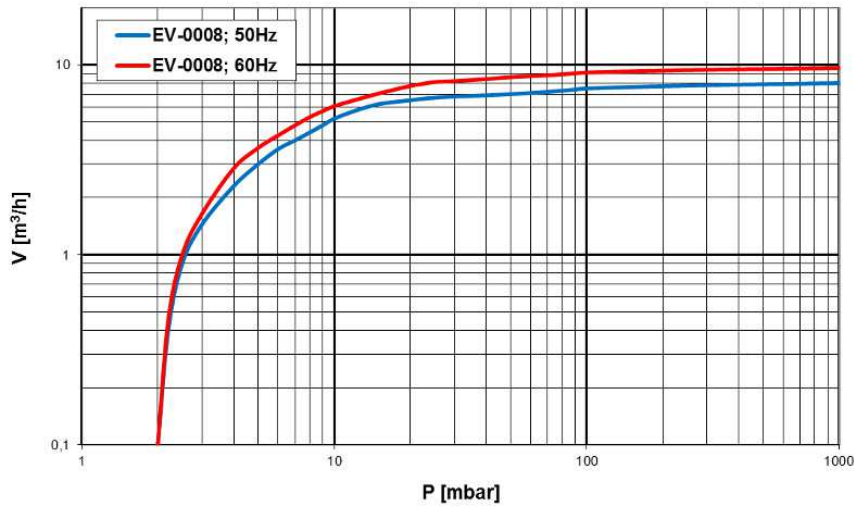


Pumping speed curve



Motor type	Length
1 ph; 220-240V	158.5 mm
1 ph; 100V(110V)	180 mm
3 ph; (no capacitor)	145 mm

TYPE EV-0008

Technical Data		TYPE EV-0008	
		50 Hz	60 Hz
Nominal displacement	m ³ /h	8	9,6
Ultimate pressure	mbar	2	2
Motor power	kW	0,35	0,45
Nominal speed	rpm	2800	3300
Noise level	dB(A)	59	62
Operating temperature	°C	50-95	50-95
Oil capacity	ltr	0,25	0,25
Weight approx	kg	9,5	9,5
Admissible ambient temp.	°C	12 to 40	12 to 40
Connection	Inlet	G(BSP)	3/8"
	Outlet	G(BSP)	1/2"

Ordering Information	TYPE EV-0008	
	50/60 Hz	
Single phase motor		
220-240V, 50/60 Hz, Euro F-type plug	191000	
220-240V, 50/60 Hz, machine plug	191001	
220-240V, 50/60 Hz, ring wire contact	191002	
110V, 50/60Hz, machine plug	191005	
100V, 50/60Hz, machine plug	191006	
Three phase motor		
345-416V, 50Hz /380-480V, 60Hz, ring wire contact	191003	
200-240V, 50Hz /208-275V, 60Hz, ring wire contact	191004	
Other Voltages/Frequencies	Upon request	
Filling with special oil	Upon request	
Exhaust filter cartridge	016031	
Service kit	016499	
Overhaul kit	016500	
Inlet dust filter, paper cartridge	01800	