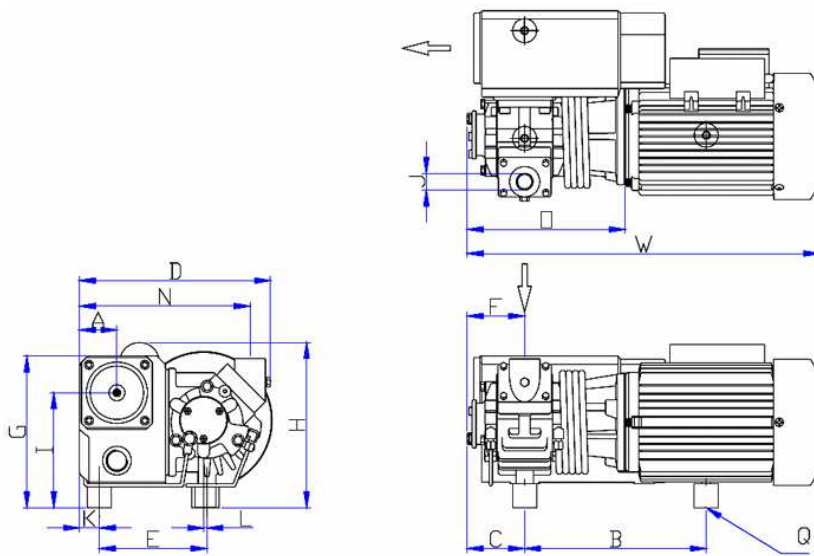
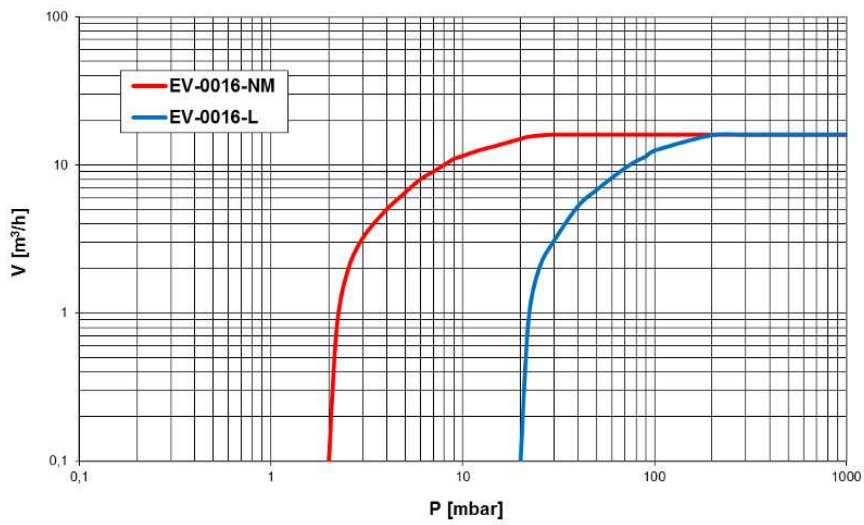


Pumping speed curve



Dimensions	W	D	H	A	B	C	E	F	G	I	J	K	L	M	N	O	Q
EV-0016	415	300	200	47	232	82	135	82	190	144	½"	25	3	G 1¼"	214	218	3x M8

TYPE EV-0016

Technical Data		TYPE EV-0016	
		50 Hz	60 Hz
Nominal displacement	m ³ /h	16	19
Ultimate pressure NM type	mbar	2	2
L type	mbar	20	20
Motor power	kW	0,75	0,75
Nominal speed	rpm	1450	1740
Noise level	dB(A)	58	60
Operating temperature	°C	80	80
Oil capacity	ltr	0,5	0,5
Weight	kg	22	22
Admissible ambient temp.	°C	10 to 40	10 to 40
Connection	Inlet	G(BSP) ½"	½"
	Outlet	G(BSP) 1¼"	1¼"

Ordering Information	TYPE EV-0016	
	50 Hz	60 Hz
<u>NM version (2 mbar)</u> Single phase motor 230V, 50/60 Hz	102100	102100
Three phase motor 400V, 50Hz (IE2)		
400V, 60Hz (IE2)		102102
<u>L version (20 mbar)</u> Single phase motor 230V, 50/60 Hz	102200	102200
Three phase motor 400V, 50Hz (IE2)		
400V, 60Hz (IE2)	102201	102202
Other Voltages/Frequencies	Upon request	
Filling with special oil	Upon request	
Exhaust filter cartridge	02120A	
Service kit	02499	
Overhaul kit	02500	
Pump module	02900	
Inlet dust filter, paper cartridge	02800	