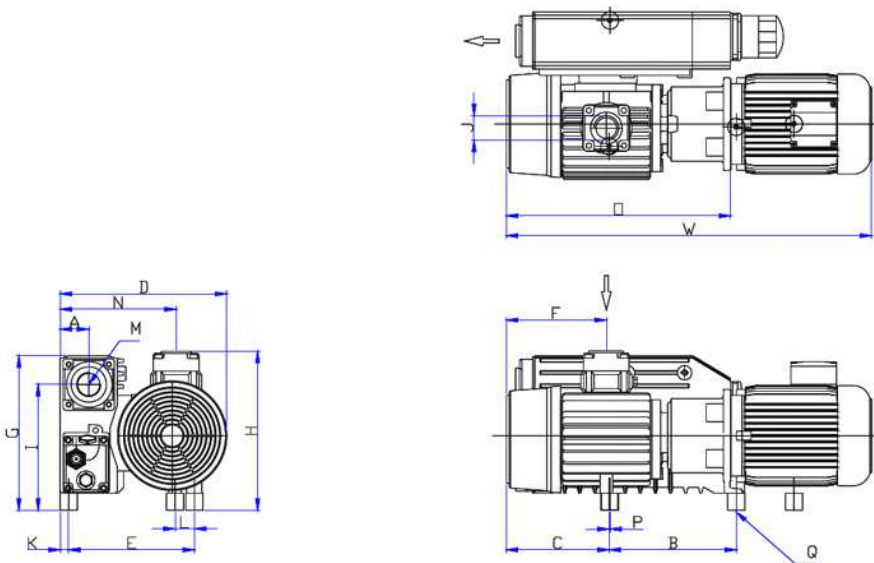
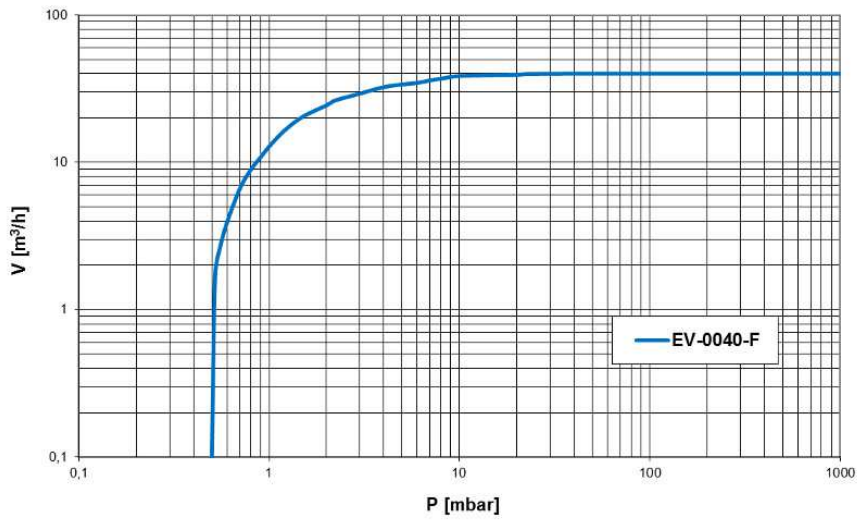


Pumping speed curve



Dimensions	W	D	H	A	B	C	E	F	G	I	J	K	L	M	N	O	P	Q
EV-0040F	630	290	280	50	223	180	220	175	270	220	G 1¼"	15	39	G 1¼"	203	392	1.5	3x M8

TYPE EV-0040F

Technical Data			TYPE EV-0040F	
			50 Hz	60 Hz
Nominal displacement	m ³ /h	40	48	
Ultimate pressure F type	mbar	0,5	0,5	
Motor power	kW	1,1	2	
Nominal speed	rpm	1450	1740	
Noise level	dB(A)	64	67	
Operating temperature	°C	78	78	
Water vapor tolerance	mbar	40	40	
Water vapor capacity	l/h	0,8	1,0	
Oil capacity	ltr	1,4	1,4	
Weight	kg	53	53	
Admissible ambient temp.	°C	10 to 40	10 to 40	
Connection	Inlet	G(BSP)	1¼"	1¼"
	Outlet	G(BSP)	1¼"	1¼"

Ordering Information		TYPE EV-0040F	
		50 Hz	60 Hz
Single phase motor 230V, 50/60 Hz		105000	105000
Three phase motor 400V, 50Hz (IE2) 400V, 60Hz (IE2)		105001	105002
Other Voltages/Frequencies		Upon request	
Filling with special oil		Upon request	
Exhaust filter cartridge		20120A	
Service kit		08499	
Overhaul kit		08500	
Pump module		08900	
Inlet dust filter, paper cartridge		20800	