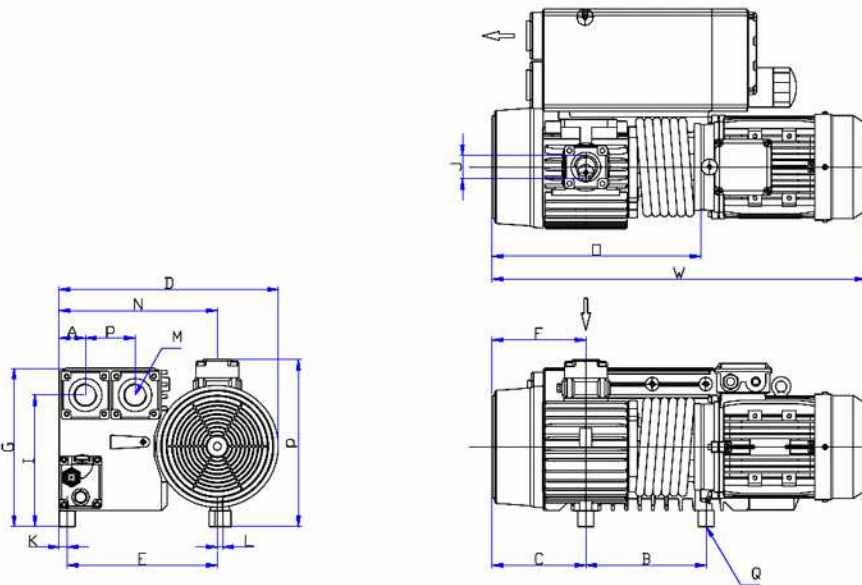
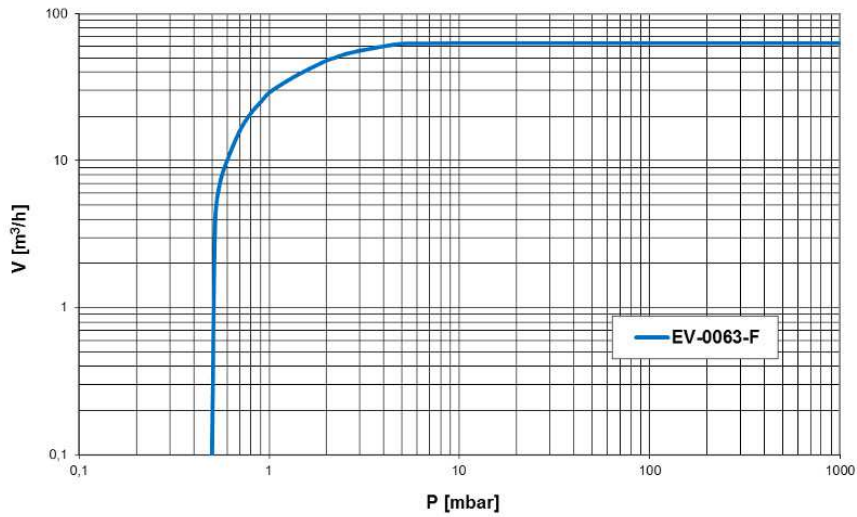




Pumping speed curve



Dimensions	W	D	H	A	B	C	E	F	G	I	J	K	L	M	N	O	P	Q
EV-0063F	650	410	313	50	200	145	295	145	296	246	G 1 1/4"	15	11	G 1 1/4"	295	340	313	3x M8

TYPE EV-0063F

Technical Data		TYPE EV-0063F	
		50 Hz	60 Hz
Nominal displacement	m ³ /h	63	76
Ultimate pressure F type	mbar	< 0,5	< 0,5
Motor power	kW	1,5	2,2
Nominal speed	rpm	1450	1740
Noise level	dB(A)	64	67
Operating temperature	°C	85	85
Water vapor tolerance	mbar	40	40
Water vapor capacity	l/h	1,6	1,8
Oil capacity	ltr	2	2
Weight	kg	64	64
Admissible ambient temp.	°C	10 to 40	10 to 40
Connection	Inlet	G(BSP)	1¼"
	Outlet	G(BSP)	1¼"

Ordering Information	TYPE EV-0063F	
	50 Hz	60 Hz
Three phase motor 400V, 50Hz (IE2) 400V, 60Hz (IE2)	106001	106002
Other Voltages/Frequencies	Upon request	
Filling with special oil	Upon request	
Exhaust filter cartridge	20120A	
Service kit	20499	
Overhaul kit	13500	
Pump module	13900	
Inlet dust filter, paper cartridge	20800	