



# Eurovacuum EVC Series

Dry Running Claw Vacuum Pump



## **Eurovacuum EVC Series** Dry Running Claw Vacuum Pumps

**Eurovacuum** Company is offering its various products to meet industrial vacuum needs.

Eurovacuum Company is founded in 2006, with over 30 year experiences in the vacuum Industry its founders have been putting their best efforts continuously to produce high quality Dry Running Claw Vacuum Pumps, with diverse range of capacity for use in: Packaging, CNC Routing, Wood Works, Pneumatic Conveying, Holding & Lifting, Pick and Place, Medical & Lab., Plastics Industries, Central Vacuum Systems.

The EVC-Series pumps are dry contact-less vacuum pumps with modular constructions consisting of compartments: pumping and gear chambers are separated by using labyrinth seals., As two claws rotate in opposite direction, the air will be sucked in the pumping chamber, compressed and discharged under pressure. In gear chamber, two gears for synchronizing of claws rotation will be placed with appropriate oil lubrication. A built in anti-suck back valve installed in inlet flange will prevent the air from flowing back into the vacuum chamber when the pump is shutdown. The pumps are directly driven by a flanged motor via a coupling. The claws and compression chamber have a TFE (Teflon) coating to protect the pump against corrosion from water in the pumped gasses.

### **Advantages to the User**

- High pumping speed
- The pumping chamber is oil free
- Corrosion protection by Teflon coating
- Air-cooling, no water required
- Low space requirement, easy to install
- Very little maintenance is needed
- Maintenance-friendly
- Compact design
- Anti-Suckback valve to secure the vacuum in the system
- The two claws are running contact free
- Direct drive, Design requires no belts
- Wide range of accessories available for easy adaptation



# Contents



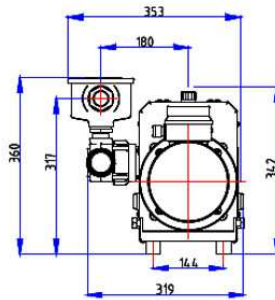
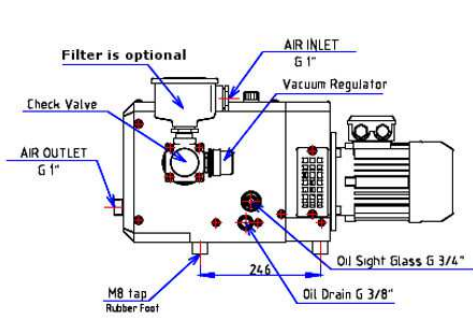
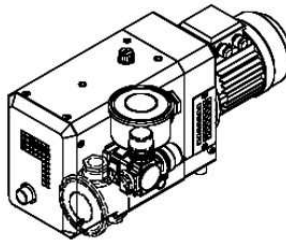
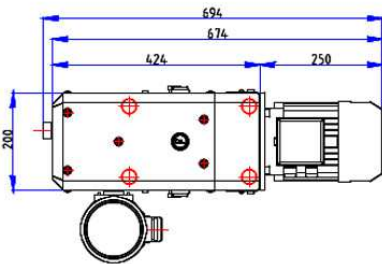
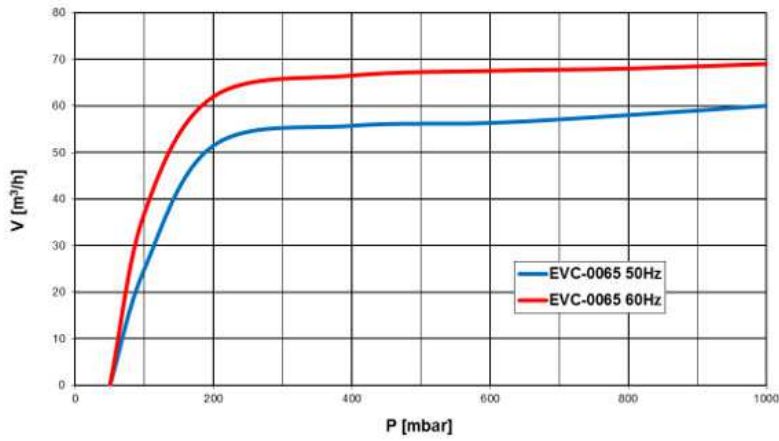
Eurovacuum EVC Series

Dry running Claw Vacuum Pumps

• EVC-0065	4
• EVC-0105	6
• EVC-0155	8
• EVC-0255	10
• EVC-0305	12
• EVC-0405	14
• EVC-0515	16
• EVC-1005	18



**Pumping speed curve**



## TYPE EVC-0065

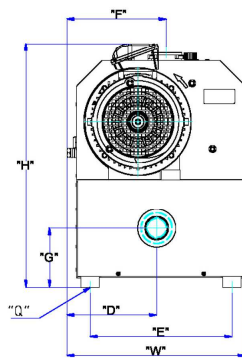
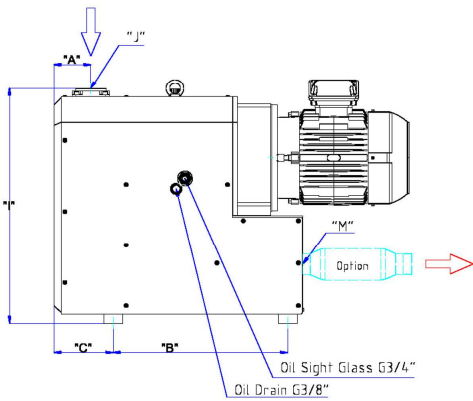
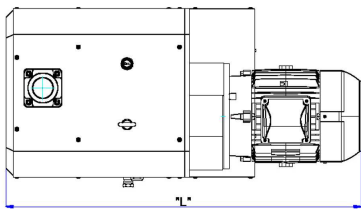
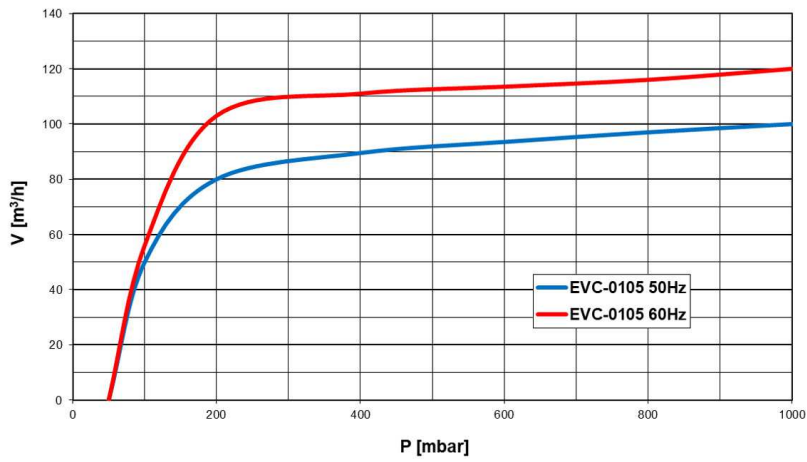
Technical Data		EVC-0065	
		50 Hz	60 Hz
Nominal displacement	m <sup>3</sup> /h	60	60
Ultimate pressure max.	mbar	50	50
Pressure continuous running	mbar	90 to 1000	90 to 1000
Motor power	kW	1,1	1,5
Nominal speed	rpm	2850	3450
Noise level (±3 dB)	dB(A)	78	80
Oil filling gear housing	ltr	0,6	0,6
Weight	kg	55	60
Admissible ambient temp.	°C	5 to 40	5 to 40
Connection	Inlet	G(BSP)	1"
	Outlet	G(BSP)	1"

Ordering Information	EVC-0065
<b>Three phase motor</b> 400/460V, 50/60Hz (IE3)	601051
No motor	601055
Other Voltages/Frequencies	Upon request
Vacuum regulate valve	06012700
Gasket set	06049000
Overhaul kit	06050000
Inlet dust filter, paper cartridge	04800
Gearbox oil type EV-Gear Oil-150	100500

# TYPE EVC-0105



**Pumping speed curve**



Dimensions	L	W	H	B	C	E	D	F	A	I	J	M	Q
EVC-0105 (2.2kW)	814	435	562	380	113	356	227	253	154	560	1-1/2"	1-1/2"	M10 tap

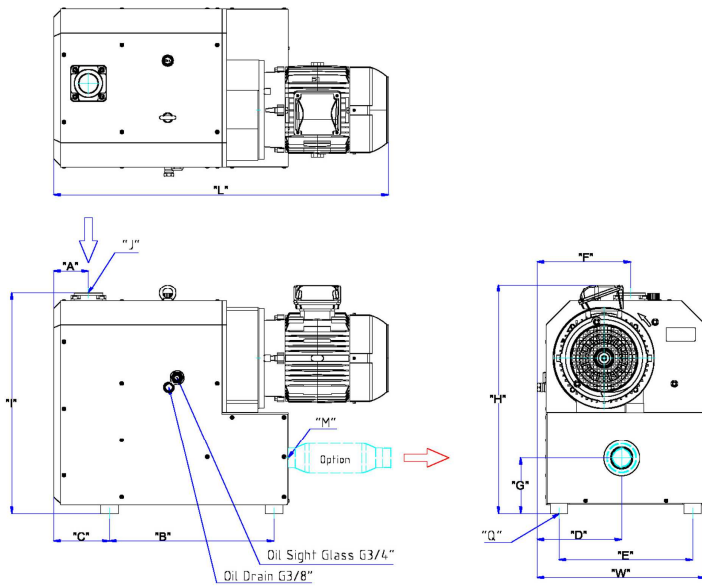
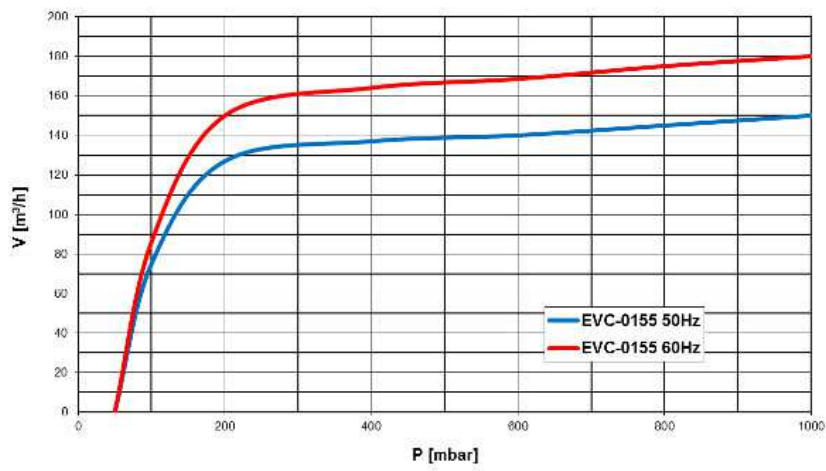
## TYPE EVC-0105

Technical Data		EVC-0105	
		50 Hz	60 Hz
Nominal displacement	m <sup>3</sup> /h	100	120
Ultimate pressure max.	mbar	50	50
Pressure continuous running	mbar	140 to 1000	140 to 1000
Motor power	kW	2,2	3,0
Nominal speed	rpm	2850	3450
Noise level	dB(A)	72	75
Oil filling gear housing	ltr	0,5	0,5
Weight	kg	123	127
Admissible ambient temp.	°C	5 to 40	5 to 40
Connection	Inlet	G(BSP) 1½"	1½"
	Outlet	G(BSP) 1½"	1½"

Ordering Information	EVC-0105
<b>Three phase motor</b> 400/460V, 50/60Hz (IE3)	602051
No motor	602055
Other Voltages/Frequencies	Upon request
Vacuum regulate valve	10012000
Gasket set	10549000
Overhaul kit	10550000
Inlet dust filter, paper cartridge	602025
Gearbox oil type EV-Gear Oil-150	100500



**Pumping speed curve**



Dimensions	L	W	H	A	B	C	D	E	F	G	I	J	M	Q
EVC-0155 (3,0/4,0kW)	837/862	435	562	136	380	113	227	356	253	139	562	1-1/2"	1-1/2"	M10 tap



## TYPE EVC-0155

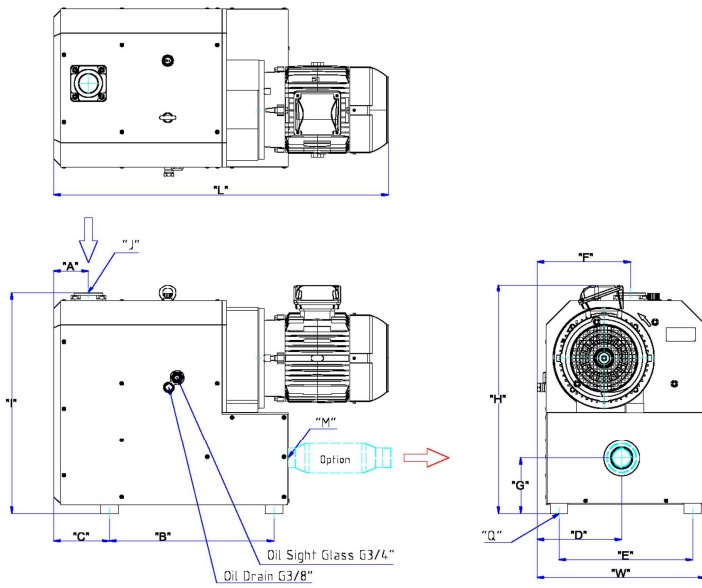
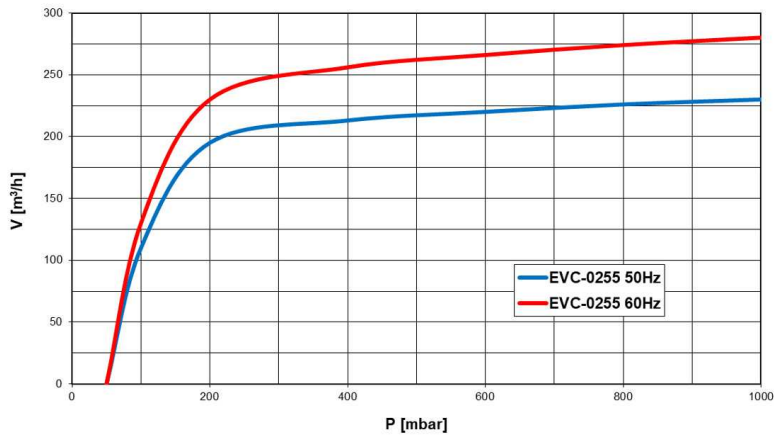
Technical Data		EVC-0155	
		50 Hz	60 Hz
Nominal displacement	m <sup>3</sup> /h	150	180
Ultimate pressure max.	mbar	50	50
Pressure continuous running	mbar	140 to 1000	140 to 1000
Motor power	kW	3,0	4,0
Nominal speed	rpm	2850	3450
Noise level	dB(A)	73	77
Oil filling gear housing	ltr	0,5	0,5
Weight	kg	131	137
Admissible ambient temp.	°C	5 to 40	5 to 40
Connection	Inlet	G(BSP) 1½"	1½"
	Outlet	G(BSP) 1½"	1½"

Ordering Information	EVC-0155
<b>Three phase motor</b> 400/460V, 50/60Hz (IE3)	603051
No motor	603055
Other Voltages/Frequencies	Upon request
Vacuum regulate valve	15512000
Gasket set	15549000
Overhaul kit	15550000
Inlet dust filter, paper cartridge	602025
Gearbox oil type EV-Gear Oil-150	100500

# TYPE EVC-0255



**Pumping speed curve**



Dimensions	L	W	H	A	B	C	D	E	F	G	I	J	M	Q
EVC-0255 (4,3/5,5kW)	961	501	685	103	490	166	252	398	279	166	660	2"	2"	M10 tap

## TYPE EVC-0255

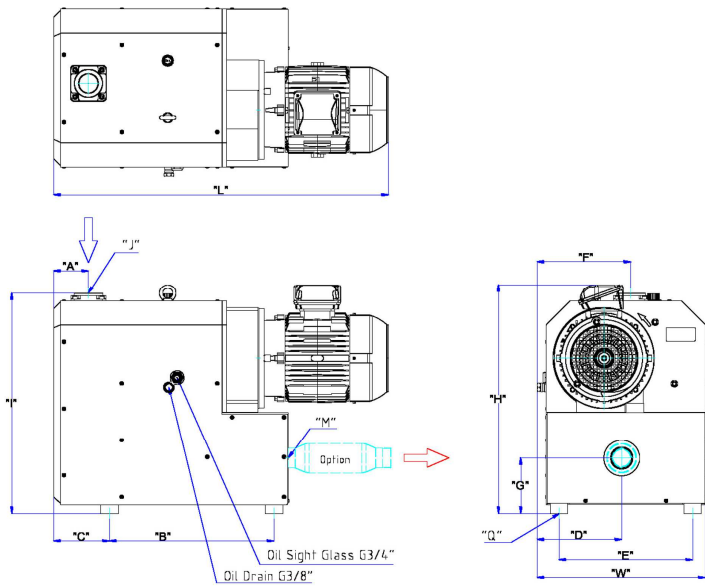
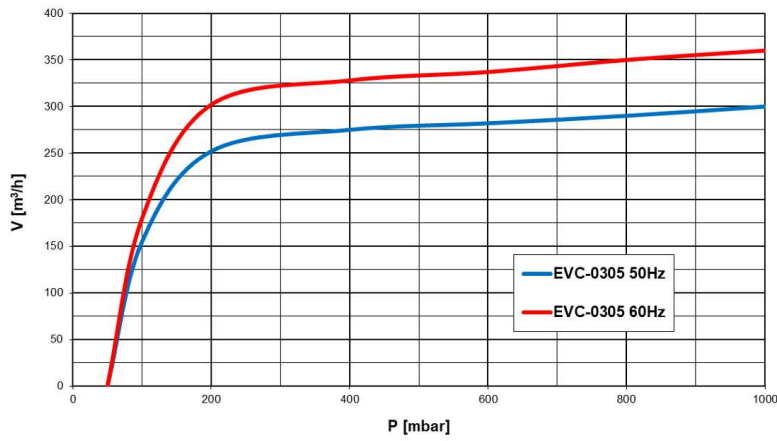
Technical Data		EVC-0255	
		50 Hz	60 Hz
Nominal displacement	m <sup>3</sup> /h	250	300
Ultimate pressure max.	mbar	50	50
Pressure continuous running	mbar	180 to 1000	180 to 1000
Motor power	kW	4,3	5,5
Nominal speed	rpm	2850	3450
Noise level	dB(A)	78	80
Oil filling gear housing	ltr	0,75	0,75
Weight	kg	233	247
Admissible ambient temp.	°C	5 to 40	5 to 40
Connection	Inlet	G(BSP)	2"
	Outlet	G(BSP)	2"

Ordering Information	EVC-0255
Three phase motor 400/460V, 50/60Hz (IE3)	604051
No motor	604055
Other Voltages/Frequencies	Upon request
Vacuum regulate valve	25512000
Gasket set	25549000
Overhaul kit	25550000
Inlet dust filter, paper cartridge	50800
Gearbox oil type EV-Gear Oil-150	100500

# TYPE EVC-0305



**Pumping speed curve**



Dimensions	L	W	H	A	B	C	D	E	F	G	I	J	M	Q
EVC-0305 (5,5/7,5kW)	975	501	685	103	490	180	252	398	279	166	660	2"	2"	M10 tap

## TYPE EVC-0305

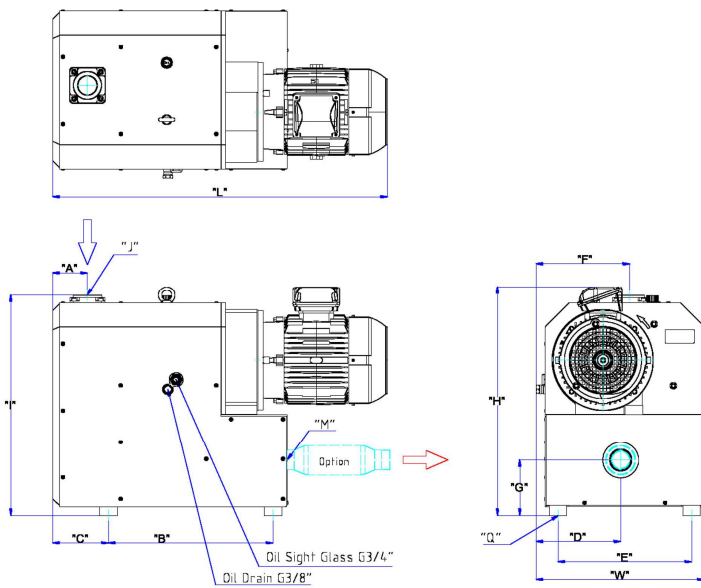
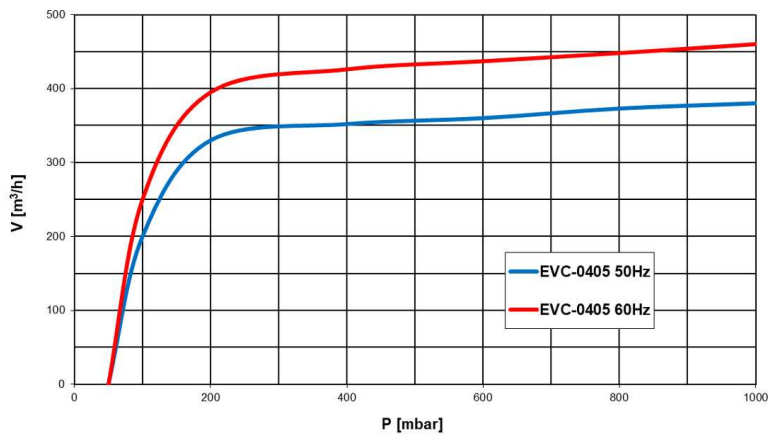
Technical Data		EVC-0305	
		50 Hz	60 Hz
Nominal displacement	m <sup>3</sup> /h	300	360
Ultimate pressure max.	mbar	50	50
Pressure continuous running	mbar	180 to 1000	180 to 1000
Motor power	kW	5,5	7,5
Nominal speed	rpm	2850	3450
Noise level	dB(A)	78	80
Oil filling gear housing	ltr	0,75	0,75
Weight	kg	255	264
Admissible ambient temp.	°C	5 to 40	5 to 40
Connection	Inlet	G(BSP)	2"
	Outlet	G(BSP)	2"

Ordering Information	EVC-0305
Three phase motor 400/460V, 50/60Hz (IE3)	605051
No motor	605055
Other Voltages/Frequencies	Upon request
Vacuum regulate valve	25512000
Gasket set	25549000
Overhaul kit	25550000
Inlet dust filter, paper cartridge	50800
Gearbox oil type EV-Gear Oil-150	100500

# TYPE EVC-0405



**Pumping speed curve**



Dimensions	L	W	H	A	B	C	D	E	F	G	I	J	M	Q
EVC-0405 (7,5/9,0kW)	1065/1105	856	752	179	502	222	306	460	390	178	695	3"	3"	M12 tap

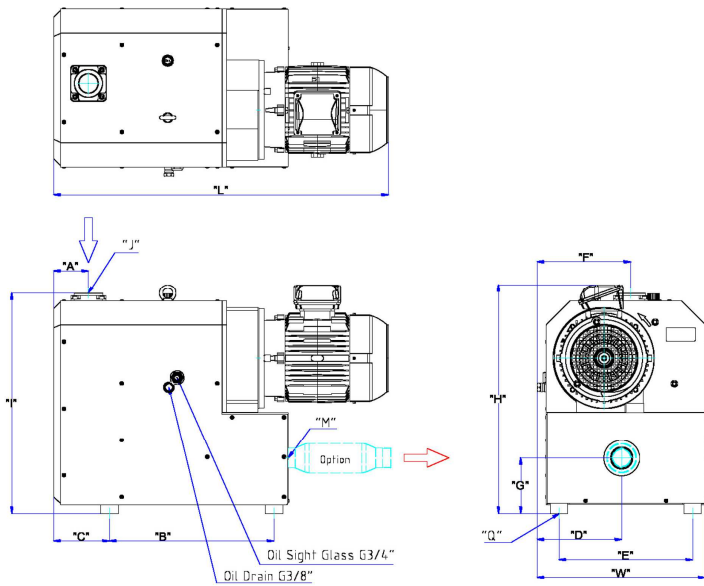
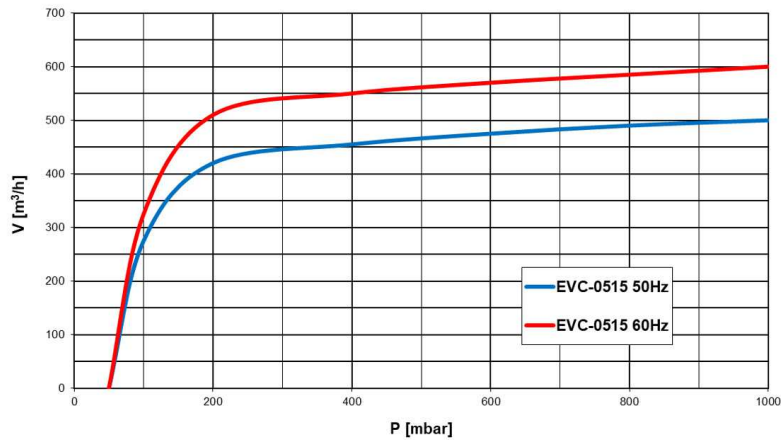
## TYPE EVC-0405

Technical Data		EVC-0405	
		50 Hz	60 Hz
Nominal displacement	m <sup>3</sup> /h	400	480
Ultimate pressure max.	mbar	50	50
Pressure continuous running	mbar	180 to 1000	180 to 1000
Motor power	kW	7,5	9,0
Nominal speed	rpm	2850	3450
Noise level	dB(A)	78	80
Oil filling gear housing	ltr	0,75	0,75
Weight	kg	364	371
Admissible ambient temp.	°C	5 to 40	5 to 40
Connection	Inlet	G(BSP)	3"
	Outlet	G(BSP)	3"

Ordering Information	EVC-0405
<b>Three phase motor</b> 400/460V, 50/60Hz (IE3)	606051
No motor	606055
Other Voltages/Frequencies	Upon request
Vacuum regulate valve	25512000
Gasket set	40049000
Overhaul kit	40050000
Inlet dust filter, paper cartridge	120800
Gearbox oil type EV-Gear Oil-150	100500



**Pumping speed curve**



Dimensions	L	W	H	A	B	C	D	E	F	G	I	J	M	Q
EVC-0515 (9,0/11,0kW)	1120/1290	586	752	179	502	238	306	460	390	178	695	3"	3"	M12 tap



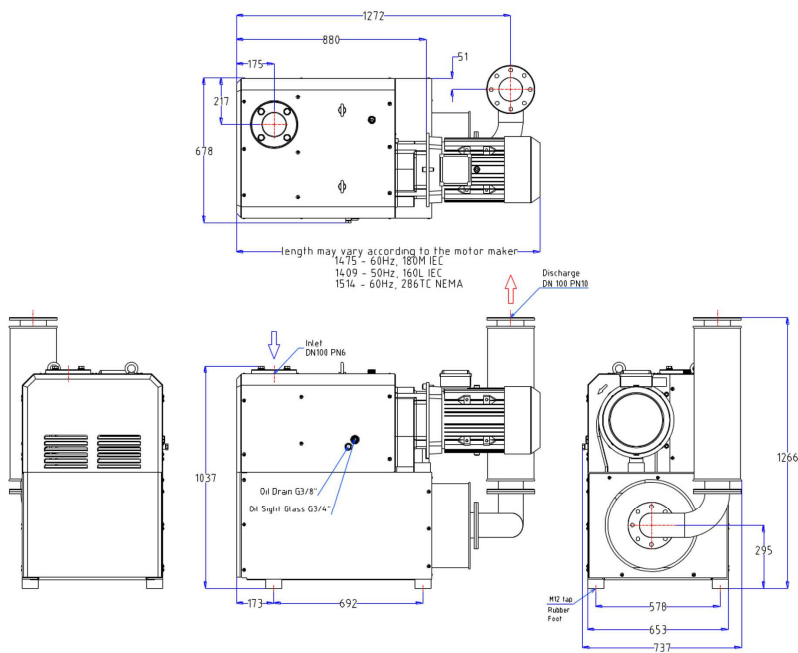
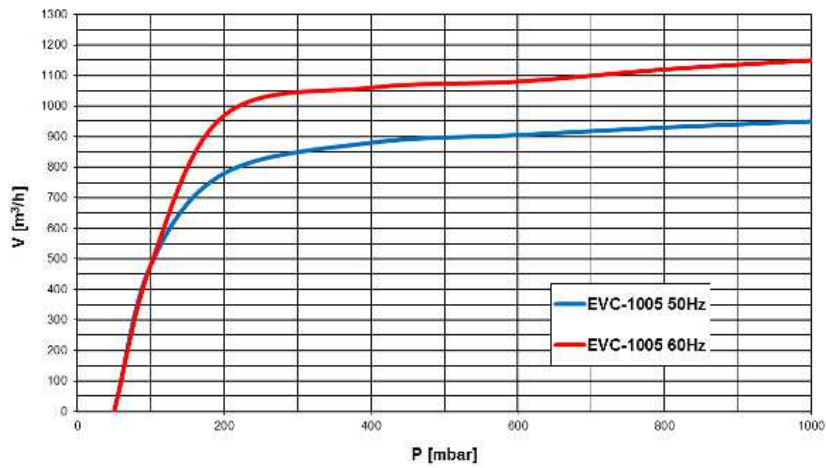
## TYPE EVC-0515

Technical Data		EVC-0515	
		50 Hz	60 Hz
Nominal displacement	m <sup>3</sup> /h	500	600
Ultimate pressure max.	mbar	50	50
Pressure continuous running	mbar	180 to 1000	180 to 1000
Motor power	kW	9	11
Nominal speed	rpm	2850	3450
Noise level	dB(A)	80	82
Oil filling gear housing	ltr	0,75	0,75
Weight	kg	384	400
Admissible ambient temp.	°C	5 to 40	5 to 40
Connection	Inlet	G(BSP)	3"
	Outlet	G(BSP)	3"

Ordering Information	EVC-0515
<b>Three phase motor</b> 400/460V, 50/60Hz (IE3)	607051
No motor	607055
Other Voltages/Frequencies	Upon request
Vacuum regulate valve	25512000
Gasket set	40049000
Overhaul kit	40050000
Inlet dust filter, paper cartridge	120800
Gearbox oil type EV-Gear Oil-150	100500



**Pumping speed curve**



## TYPE EVC-1005

Technical Data		EVC-1005	
		50 Hz	60 Hz
Nominal displacement	m <sup>3</sup> /h	950	1140
Ultimate pressure max.	mbar	50	50
Pressure continuous running	mbar	180 to 1000	180 to 1000
Motor power	kW	18,5	22
Nominal speed	rpm	2850	3450
Noise level	dB(A)	82	85
Oil filling gear housing	ltr	3,2	3,2
Weight	kg	733	766
Admissible ambient temp.	°C	5 to 40	5 to 40
Connection	Inlet	DIN DN100 PN6	DN100 PN6
	Outlet	DIN DN100 PN10	DN100 PN10

Ordering Information	EVC-1005
Three phase motor 400/460V, 50/60Hz (IE3)	608051
No motor	608055
Other Voltages/Frequencies	Upon request
Gearbox oil type EV-Gear Oil-150	100500

