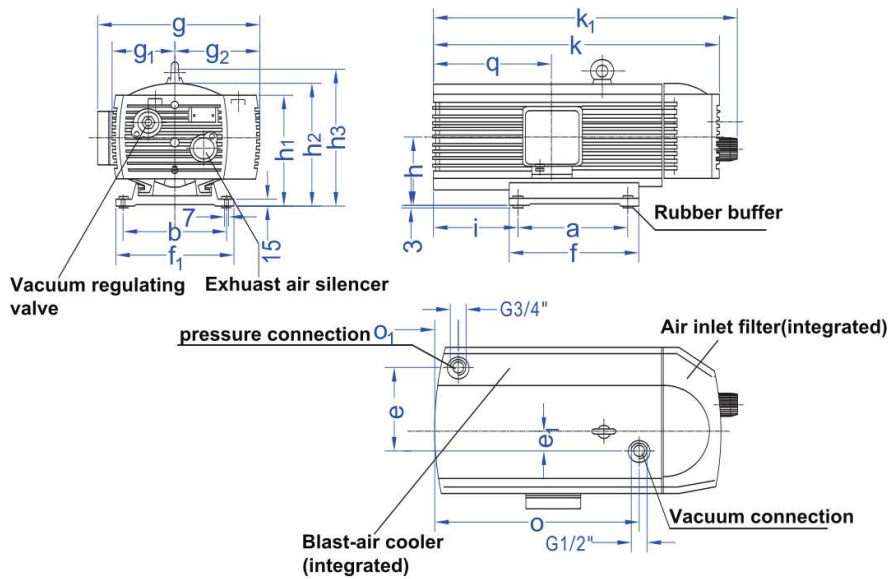
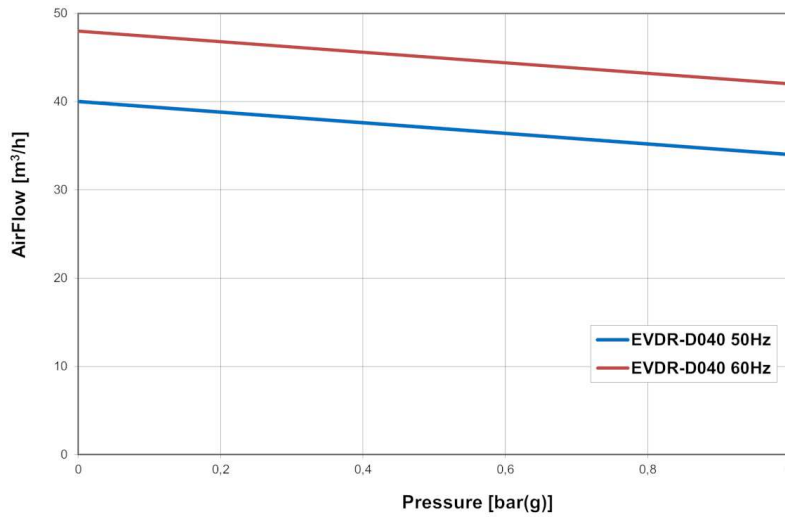


TYPE EVDR-D040



Flow Diagram



Dimensions	a	b	e	e1	f	f1	g	g1	g2	h	h1	h2	h3	i	k	k1	e	q	q1
EVDR-D040	220	198	130	-	260	238	328	173	173	140	227	253	290	178	585	625	54,8	245	-

TYPE EVDR-D040

Technical Data		TYPE EVDR-D040	
		50 Hz	60 Hz
Nominal displacement	m ³ /h	40	48
Ultimate pressure	bar(g)	1	
Vanes		long life carbon vanes	
Cooling type		air cooling	
Power	kW	1,85	2,2
Nominal speed	rpm	1420	1740
Noise level	dB(A)	67	69
Inlet air temperature	°C	0 - 40	
Ambient temperature	°C	0 - 40	
Weight	kg	46	
Connection	Outlet	G(BSP) 3/4"	

Ordering Information	TYPE EVDR-D040
	50/60 Hz
Single phase motor 230V±10%, 50/60 Hz	651040
Three phase motor 190-255/330-440V, 50Hz 190-290/330-500V, 60Hz	653040
Other Voltages/Frequencies	Upon request
Accessories:	
Pressure relieve valve	640097
Inlet dust filter with paper cartridge	02800
Spare parts:	
Set of vanes (7 pieces)	640613
Gasket	640522A
Maintenance kit	640699A
Filter cartridge	640523
Filter pressure spring	640524