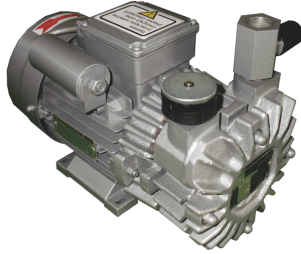
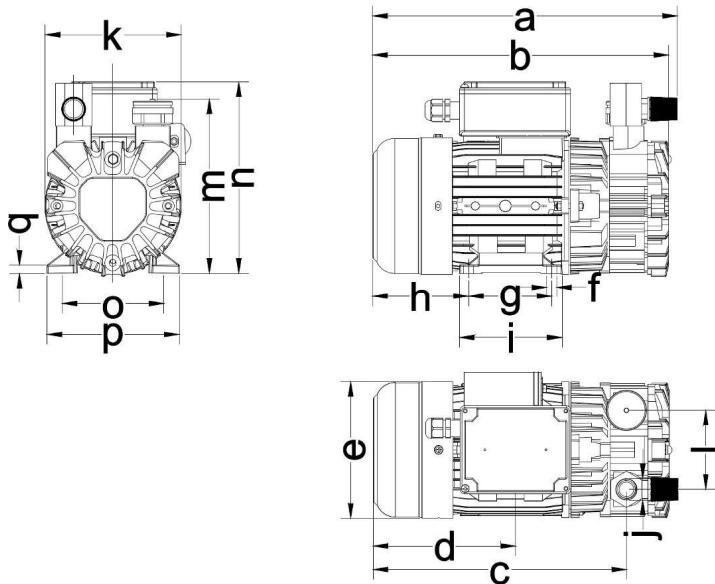
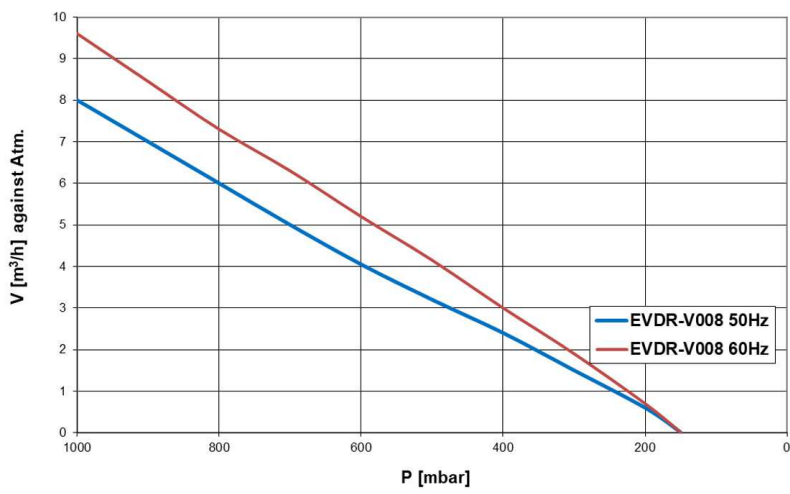


TYPE EVDR-V008



Pumping speed curve



Dimensions	a	b	c	d	e	f	g	h	i
EVDR-V008	314	302	263	161	140	7,5	90,5	94,5	104,5
	j	k	l	m	n	o	p	q	
	24,5	132,5	82	168	176,5	112	131,5	10	

TYPE EVDR-V008

Technical Data		TYPE EVDR-V008	
		50 Hz	60 Hz
Nominal displacement	m ³ /h	8,0	9,6
Ultimate vacuum (abs.)	mbar	150	
Vanes		long life carbon vanes	
Cooling type		air cooling	
Power	kW	0,37	0,44
Nominal speed	rpm	1420	1700
Ambient temperature	°C	0 - 40	
Weight	kg	13	
Connection	Inlet G(BSP)	3/4"	

Ordering Information	TYPE EVDR-V008
	50/60 Hz
Single phase motor 230V, 50/60 Hz (IEC)	641008
Three phase motor 400V, 50Hz (IEC)	643008
Other Voltages/Frequencies	Upon request
Accessories:	
Inlet dust filter with paper cartridge	03800
Spare parts:	
Set of vanes (7 pieces)	640211A
Maintenance kit	640299A
Exhaust filter cartridge	640222A
Inlet filter cartridge (paper)	028001
Inlet filter cartridge (polyester)	028101
Inlet filter cartridge (metal wire mesh)	028201
Inlet filter cartridge (active coal)	028301