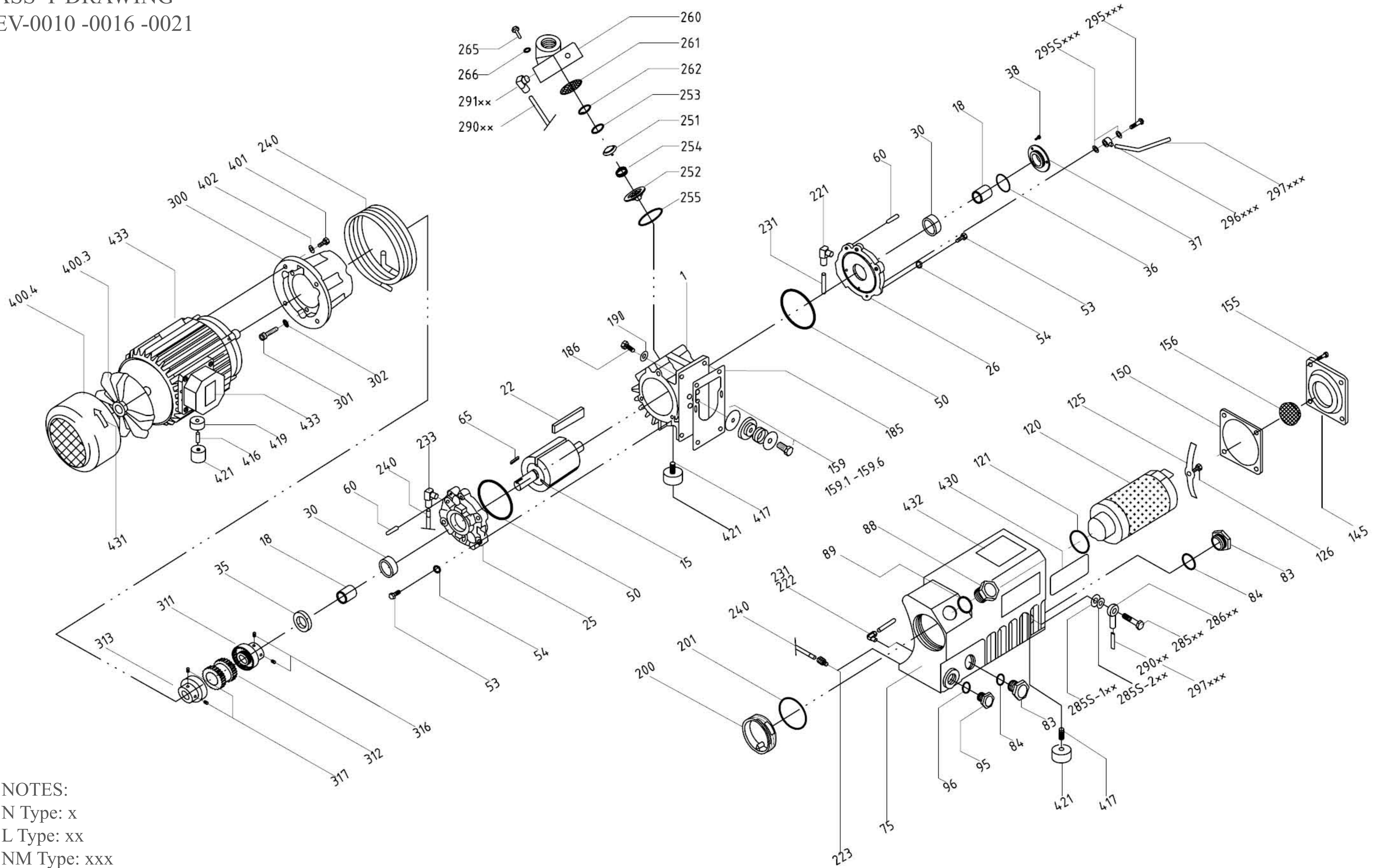


ASS'Y DRAWING  
EV-0010 -0016 -0021



NOTES:  
N Type: x  
L Type: xx  
NM Type: xxx

**Eurovacuum B.V. EV-0016 Parts List**

Pos.No.	Quantity			Description	Part Description	Art.No.
	N	L	NM			
1	1	1	1	Cylinder	Ø68x70/PCD90x6-M6	02001
15	1	1	1	Rotor	Ø58x70	02015
18	2	2	2	Sleeve, Bearing	IR Ø15xØ20x23	02018
22	3	3	3	Vane	70x17.8x3.8	02022
25	1	1	1	A-end plate	ID20.5/PCD90X3-Ø7	02025
26	1	1	1	B-end plate	ID20.5/PCD90x3-Ø7	02026
30	2	2	2	Bearing	RNA4903	02030
35	1	1	1	Shaft seal	Ø20xØ32x6.5	02035
36	1	1	1	O-Ring, Bracket	Ø24x3.5	02036
37	1	1	1	Bracket	Ø31.5xØ60x12	02037
38	3	3	3	Hexagon head screw	M5x12	02038
50	2	2	2	O-Ring, End plate	Ø70x2.5	02050
53	6	6	6	Hexagon head screw	M6x25	02053
54	6	6	6	Spring lock washer	S/W, Ø6	02054
60	4	4	4	Taper pin	Ø4x25	02060
65	1	1	1	Shaft key	5x5x15	02065
75	1	1	1	Oil sump	EV-0016	02075
83	1	1	1	Oil sight glass	G 3/4"	02083
84	1	1	1	Gasket, Oil sight glass	Ø26xØ34x1t	02084
88	1	1	1	Plug, Oil fill	G 3/4"	02088
89	1	1	1	O-Ring, Oil fill plug	Ø22x2.0	02089
95	1	1	1	Plug, Oil Drain	G 1/2"	02095
96	1	1	1	O-Ring, Oil drain plug	Ø15x2.3	02096
120	1	1	1	Exhaust filter	Ø35xØ70x130	02120
121	1	1	1	O-Ring, Exhaust filter	Ø35x4.0	02121
125	1	1	1	Filter spring	106x12x1.5t	02125
126	1	1	1	Slotted cheese head screw	M4x25	02126
145	1	1	1	Exhaust cover (w/ threaded flange)	88x88/4-Ø6.5	06145
150	1	1	1	Gasket, Exhaust cover	87x87/Ø71/1t	02150
155	4	4	4	Allen bolt	M6x20	06107
156	1	1	1	Outlet screen	Ø65x1t	06156
159	1	1	1	Exhaust valve ass'y( 159.1~ 159.6)	Ø35xH20/M6	02159
159-1	1	1	1	Exhaust valve fixed bolt	Ø8xM6x28	02159-1
159-2	1	1	1	Exhaust valve washer	Ø8.5xØ25x1.6t	02159-2
159-3	1	1	1	Exhaust valve spring	D20xNf4xL15xd0.75	02159-3
159-4	1	1	1	Exhaust valve plate	Ø35x8x10t	02159-4
159-5	1	1	1	Exhaust valve lock nut	Ø8xØ14x3.8t/M6	02159-5
159-6	1	1	1	Exhaust valve seat plate	Ø8xØ36x2t	02159-6
185	1	1	1	Gasket, Cylinder	130x72x1t	02185
186	4	4	4	Allen bolt	M8x20	02186
190	4	4	4	Spring lock washer	S/W ,Ø8	02190
200	1	1	1	Plug, Drum	R 2"	02200
201	1	1	1	O-Ring, Drum plug	Ø55x3.0	02201
221	1	1	1	Elbow hydraulic fitting	BLS 1/8"xØ4	02221
222	1	1	1	Elbow hydraulic fitting	BLS 1/8"xØ4	02222
223	1	1	1	Straight hydraulic fitting	BMC 1/8"xØ6 (B.S)	02223
231	1	1	1	Oil tube(B)	Ø4x212	02231
233	1	1	1	Elbow hydraulic fitting	BLS 1/8"xØ6 (B.S)	02233
240	1	1	1	Cooling spiral	Ø128x42	02240
251	1	1	1	Check valve plate	Ø4.5/Ø32x23.5	02251
252	1	1	1	Check valve guide	Ø4.5/Ø46x15	02252
253	1	1	1	O-Ring, Check valve plate	Ø24x2.0	02253
254	1	1	1	Check valve spring	D21xNf5xL18xd0.5	02254
255	1	1	1	O-Ring, Inlet part	Ø56x2.5	02255
260	1	1	1	Inlet flange	G 1/2"	02260
261	1	1	1	Inlet screen	Ø23	02261
262	1	1	1	Retaining ring for bores	Ø26x1t	02262
265	4	4	4	Hexagon head screw	M6x25	02053
266	4	4	4	Spring lock washer	S/W ,Ø6	02054
270*	1	-	1	Plug (For N Only)	G1/8"	02270
275	1	-	1	Oil return valve (For N Only)	M8x1.0x30	02275
275S*	1	-	1	Sealing ring (For N Only) for 275*	Ø8.5xØ14x1t	02276
285**	-	1	-	Oil Recirculation Screw(For L Only)	M8x1.0x50	02285
285S-1**	-	1	-	Sealing ring (For L Only) for 285**	Ø8.5xØ14x1t	02287

**Eurovacuum B.V. EV-0016 Parts List**

Pos.No.	Quantity			Description	Part Description	Art.No.
	N	L	NM			
285S-2**	-	2	-	Sealing ring (For L Only) for 285**	Ø8.5xØ12x1t	02288
286**	-	1	-	Banjo fitting (For L Only)	Ø8.5xØ4	02286
290**	-	1	-	Return oil tube (For L Only)	Ø4x350	02290
291**	-	1	-	Elbow hydraulic fitting ( For L only)	BLS 1/8"xØ4	02222
300	1	1	1	Motor mounting bracket	PCD 76/4-Ø7	02300
301	3	3	3	Allen bolt	M6x70	02301
302	3	3	3	Spring lock washer	S/W, Ø6	02054
310A	1	1	1	Coupling Set (311 ~313)	EV-0016	02310A
311A	1	1	1	Coupling, pump side	Sure Flex Type, Ø55xØ15	02311A
312A	1	1	1	Coupling Sleeve	Rubber, Sleeve, Ø55x13t	02312A
313A	1	1	1	Coupling, Motor side	Sure Flex Type, Ø55xØ14	02313A
316	2	2	2	Set screw (pump side)	M8x10	43316
317	2	2	2	Set screw ( Motor side)	M8x10	43316
400	1	1	1	Motor (IEC) for EV-0016	1Hp, 3 Ph, 4P , 60Hz	02400A-3
400	1	1	1	Motor (IEC) for EV-0016	1Hp, 1 Ph, 4P, 60Hz	02400A-1
400	1	1	1	Motor (IEC) for EV-0016	1.2 Hp, 3Ph, 2P, 60Hz	04400A-3
400	1	1	1	Motor (IEC) for EV-0016	1.2 Hp,1Ph, 2 P, 60Hz	04400A-1
400,3	1	1	1	Motor fan blade		02400.3
400,4	1	1	1	Motor fan cover		02400.4
401	4	4	4	Hexagon head screw	M6x25	02053
402	4	4	4	Spring lock washer	S/W, Ø6	02054
416	1	1	1	Slotted set screw	M8x30	02416
417	2	2	2	Slotted set screw	M8x20	02417
419	1	1	1	Sleeve	Ø9xØ25x10t	02419
421	3	3	3	Rubber foot	Ø30x20/M8	02421
430	1	1	1	Name plate	38x85	02430
431	1	1	1	Directional arrow label	15x40	02431
490	1	1	1	Gasket Set	EV-0016	02490
500	1	1	1	Maintenance Kit	EV-0016	02500
800	1	1	1	Inlet Air Filter	G 1-1/4" S, Canister	02800
900	1	1	1	Pump Module	module	02900