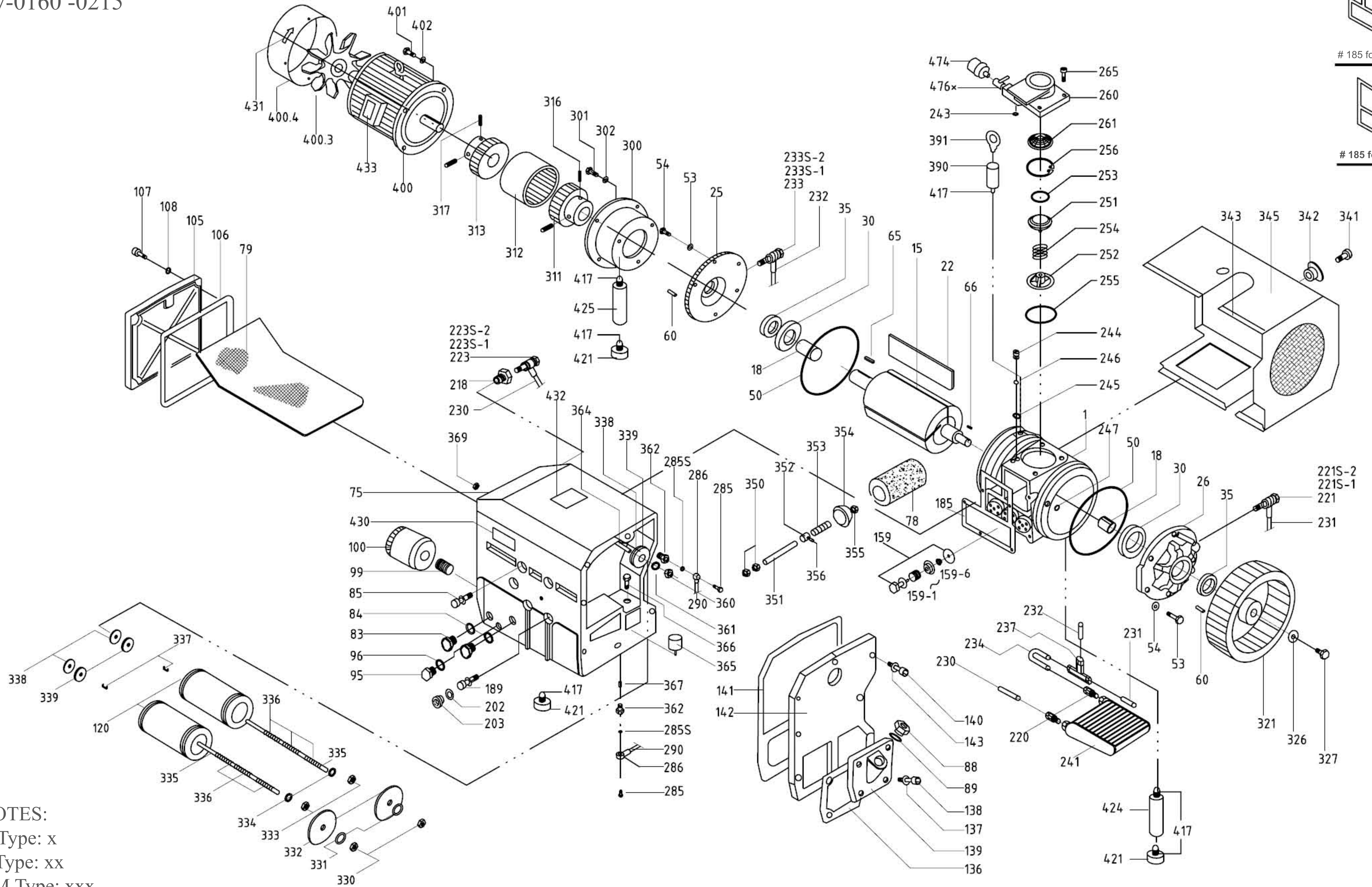


ASS'Y DRAWING  
EV-0160 -0215



# 185 for 215R



# 185 for 160R

NOTES:  
N Type: x  
L Type: xx  
NM Type: xxx

**Eurovacuum B.V. EV-0160 Parts List**

Pos.No.	Quantity		Description	Part Description	Art.No.
	N	L			
1	1	1	Cylinder	Ø142x180/PCD162x12-M8	32001
15	1	1	Rotor	Ø117x180	32015
18	2	2	Sleeve, Bearing	IRØ30xØ35x30	43018
22	3	3	Vane	180x50x4t	32022
25	1	1	A-end plate, motor side	PCD162x6-Ø9	43025A
26	1	1	B-end plate, Fan side	PCD162x6-Ø9	43026
30	2	2	Bearing	RNA4906	50030
35	2	2	Shaft seal	Ø35xØ47x6t	50035
50	2	2	O-Ring, End plate	Ø146x2.0	43050
53	12	12	Allen bolt	M8x25	43053
54	12	12	Spring Lock washer	S/W ,Ø8	02190
60	4	4	Taper pin	Ø6x30	06060
65	1	1	A-shaft key	8x7x35	43065
66	1	1	B-shaft key	5x5x20	43066
75	1	1	Oil sump	EV-0160	43075
78	1	1	Steel demister	Ø35xØ80x130	43078
79	1	1	Steel metal baffle	205x410x1t	43079
83	2	2	Oil sight glass	G 3/4"	02083
84	2	2	Gasket, Oil sight glass	Ø26xØ34x1t	02084
85	2	2	Allen bolt	M8x50	50163
88	1	1	Pulg, Oil fill	G 3/4"	02088
89	1	1	O-Ring, Oil fill plug	Ø22x2.0	02089
95	1	1	Plug, Oil drain	G3/8"	43095
96	1	1	O-Ring, Oil drain plug	Ø15x2.3	02096
99	1	1	Threaded fitting	3/4" - 16 UNF	06099
100	1	1	oil filter	W940/15N	50100
105	1	1	Oil sump cover	230x220x18/8-Ø6.5	43015
106	1	1	Gasket, Oil sump cover	230x220x1t /8-Ø7	43106
107	8	8	Allen bolt	M6x30	43107
108	8	8	Sealing ring	Ø6xØ10x1t	06108
120	1	1	Exhaust filter	Ø75xØ107x295	43120
136	1	1	Gasket, Service cover	145x120x1t	43136
137	4	4	Sealing ring	Ø6xØ10x1t	06108
138	4	4	Allen bolt	M6x20	06107
139	1	1	Service cover	145x120/4-Ø6.5	43139
140	8	8	Allen bolt	M6x30	43107
141	1	1	Gasket, Separator cover	340x275x1t /8-Ø7	43141
142	1	1	Separator cover plate	340x275x25/8-Ø6.5	43142
143	8	8	Sealing ring	Ø6xØ10x1t	06108
159	2	2	Exhaust valve ass'y( 159.1~ 159.6)	M6xd35xH20	02159
159,1	2	2	Exhaust valve fixed bolt	Ø8xM6x28	02159-1
159,2	2	2	Exhaust valve washer	Ø8.5xØ25x1.6t	02159-2
159,3	2	2	Exhaust valve spring	D20xNf4xL15xd0.75	02159-3
159,4	2	2	Exhaust valve plate	Ø35x8x10t	02159-4
159,5	2	2	Exhaust valve lock nut	Ø8xØ14x3.8t/M6	02159-5
159,6	2	2	Exhaust valve seat plate	Ø8xØ36x2t	02159-6
185	1	1	Gasket, Cylinder	1t, ( EV-0160 ONLY)	32185
189	2	2	Allen bolt	M8x70	43189
202	5	5	O- ring	Ø15x2.3	02096
203	5	5	Locking screw	G 3/8"	43203
218	1	1	Socket	G3/8"x1/4"	43218
220	2	2	BMC Hydraulc Fitting	3/8" x 10	43220
221	1	1	BSLM Hydraulc fitting	BSLM 1/4" x Ø10	50221A
221S-1	1	1	Sealing Ring for 221	13.5x20x1.5t	50046.1
221S-2	1	1	Sealing Ring for 221	14x18.5x2t	50046.
223	1	1	BSLM Hydraulc fitting	BSLM 1/4" x Ø10	50221A
223S-1	1	1	Sealing Ring for 223	13.5x20x1.5t	50046.1
223S-2	1	1	Sealing Ring for 223	14x18.5x2t	50046.
230	1	1	Oil tube(A-1)	Ø10	32230
231	1	1	Oil tube(B-1)	Ø10	32231
232	1	1	Oil Tube(B-2)	Ø10	43232

**Eurovacuum B.V. EV-0160 Parts List**

Pos.No.	Quantity		Description	Part Description	Art.No.
	N	L			
233	1	1	BSLM Hydraulric fitting	BSLM 1/4" x Ø10	50221A
233S-1	1	1	Sealing Ring for 233	13.5x20x1.5t	50046.1
233S-2	1	1	Sealing Ring for 233	14x18.5x2t	50046.
234	1	1	Oil Tube(A-2)	Ø10	32234
237	1	1	BLT, Hydraulric Fiting	Ø10	43237
241	1	1	Radiator	EV-0160	43241
243	1	1	O-Ring, Gas ballast	Ø6x2.0	43243
244	1	1	Ball guide	G3/8"	43244
245	1	1	Ball	Ø6.3	43245
246	1	1	O-Ring, Ball guide	Ø5x2.5	43246
247	1	1	O-Ring, End plate for gas ballast	Ø6x2.0	43243
251	1	1	Check valve plate	Ø9.5/Ø78x55	50251
252	1	1	Check valve guide		43252A
253	1	1	O-Ring, Check valve plate	Ø65x3.0	06255
254	1	1	Check valve spring	D75xNt6xL100xd1.2	50254
255	1	1	O-Ring, Inlet part	Ø100x3.0	43255
256	1	1	Snap Ring		43256A
260	1	1	Inlet flange	G2"	43260A
261	1	1	Inlet screen	mw0.5,Do20:D60xH15	06261
265	4	4	Allen bolt	M6x20	06107
275	2	2	Hollow-core screw	M 6x15	43275
275S	2	2	Sealing ring	Ø6xØ10x1t	06108
300	1	1	Motor Mounting Bracket (IEC)	For IEC Motor	32300
301	3	3	Allen bolt	M8x25	06301
302	3	3	Spring lock washer	S/W,M8	02190
310A (new)	1	1	Coupling Set (311 ~313)	coupling set for EV-0160	32310A
311	1	1	Coupling, Pump side	Teeth type	50311A
312	1	1	Coupling Housing	Plastic, Sleeve	35312A
313	1	1	Coupling, Motor side	Teeth type	32313A
316	2	2	Set screw (pump side)	M8x10	43316
317	2	2	Set screw ( Motor side)	M8x10	43316
321	1	1	Fan, Pump shaft end	Ø225xØ19x50	43321
326	1	1	Washer	Ø30xØ6.3x2.5t	43326
327	1	1	Hexagon head screw	M6x20	43327
330	1	1	Hexagon nut	M8	06191
331	1	1	Washer	Ø20xØ8.5x1.5	06425
332	1	1	Exhaust filter cover	Ø100 xØ8 x 4t	43332
333	1	1	Hexagon nut	M8	06191
334	1	1	Washer	Ø20xØ8.5x1.5	06425
335	1	1	Separator valve stud	M8x350	43335
336	3	3	Separator valve spring	D11 xNt20xL95xd0.8	43336
337	1	1	Flat spring	3x15x0.3t	43337
338	2	2	Separator valve flat-ring	Ø50xØ13x3t	43338
339	2	2	Separator valve support	Ø50xØ9x16t	43339
340	1	1	Fan Hood	310x310x440	43340
341	1	1	Allen bolt	M8x45	43341
342	1	1	Cover holder	Ø50xØ9x30	43342
345	1	1	Fan Hood	for radiator	43345A
350	1	1	Hexagon nut	M8	06191
351	1	1	Stud	M8x120	43351
352	1	1	Adjusting ring	Ø16xØ8.5x15	43352
353	1	1	Deminster spring	D11 xNt20xL95xd0.8	43336
354	1	1	Demister cover	Ø100xØ9	43354
355	2	2	Hexagon nut	M8	06191
356	1	1	Set screw	M8x10	43316
360	1	1	Hexagon nut	M8	06191
361	1	1	Washer	Ø20xØ8.5x1.5	06425
362	2	2	Connecting bolt	M6/M10	43362
364	1	1	Separator locking valve stud	M8x130	43364
365	2	2	Hexagon head screw	M8x30	06053
366	1	1	Float	Ø30x50	43366

**Eurovacuum B.V. EV-0160 Parts List**

Pos.No.	Quantity		Description	Part Description	Art.No.
	N	L			
367	1	1	Float valve nozzle	M6x20	43367
369	2	2	Hexagon nut	M8	06191
390	1	1	Adapter for eye bolt	Ø20x50/M10	43390
391	1	1	Eye bolt	M10	06391
400	1	1	Motor (IEC)-50Hz	5Hp, 3 Ph, 60Hz	32400B
400	1	1	Motor (IEC)-60Hz	5Hp, 3 Ph, 60Hz	32400A
400,3	1	1	Motor Fan (IEC)		32400,3
400,4	1	1	Motor Fan Cover (IEC)		32400,4
401	4	4	Hexagon head screw	M12x30	43401
402	4	4	Spring lock washer	S/W ,Ø12	50054
417	6	6	Slotted set screw	M10x20	43107
421	3	3	Rubber foot	Ø50x30/M10	43421
424	1	1	Rubber foot support	Ø30x70/M10	43424
425	1	1	Rubber foot support	Ø30x75/M10	43425
430	1	1	Name plate	38x85	02430
431	1	1	Directional Arrow		
474	1	1	Air filter	G1/4"	43474
476*	1	-	Ball valve for N Only	G1/4"	43476
490	1	1	Gasket Kit	EV-0160	32490
500	1	1	Maintenance Kit	EV-0160	32500
600	1	1	Motor(NEMA)		32600
600,3	1	1	Motor Fan(NEMA)		32600,3
600,4	1	1	Motor Fan Cover(NEMA)		32600,4
601	4	4	Hexagon head screw(NEMA)		32601
602	4	4	Spring lock washer(NEMA)		32603
613	1	1	Coupling, Motor side(NEMA)		32613
630	1	1	Motor Mounting Bracket(NEMA)	For NEMA Motor	32630
800	1	1	Inlet Air Filter	G 2", Canister	50800
900	1	1	Pump Module	module	32900