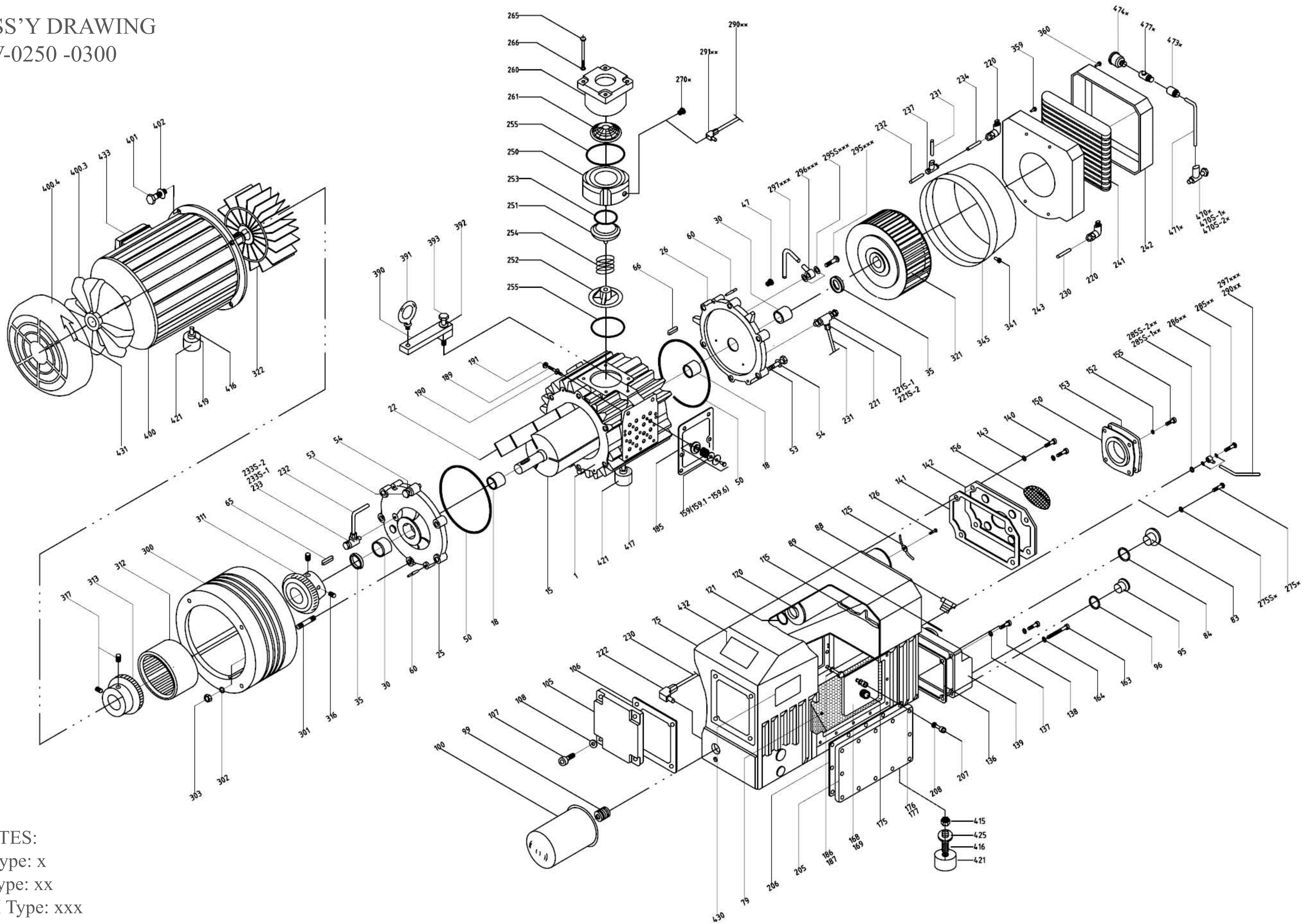


ASS'Y DRAWING  
EV-0250 -0300



NOTES:  
N Type: x  
L Type: xx  
NM Type: xxx

## Eurovacuum B.V. EV-0250 Parts List

Pos.No.	Quantity			Description	Part Description	Art.No.
	N	L	NM			
1	1	1	1	Cylinder	Ø180x220/PCD210x12-M12	50001
15	1	1	1	Rotor	Ø152x220	50015
18	2	2	2	Sleeve, Bearing	IR Ø30xØ35x17	50018-2
18	2	2	2	Sleeve, Bearing	IR Ø30xØ35x30	50018-1
22	3	3	3	Vane	220x53x5.85	50022
25	1	1	1	A-End plate	ID43/PCD210x12-Ø14	50025
26	1	1	1	B-End plate	ID43/PCD210x12-Ø14	50026
30	2	2	2	Bearing	RNA4906	50030
35	2	2	2	Shaft seal	Ø35xØ47x6t	50035
46,1	1	1	1	Sealing ring	Ø14xØ19x2t	50046
46.1.1	1	1	1	Sealing ring	Ø13.5xØ20x1.5t	50046.1
46,2	1	1	1	Sealing ring	Ø14xØ19x2t	50046
46.2.1	1	1	1	Sealing ring	Ø13.5xØ20x1.5t	50046.1
46,3	1	1	1	Sealing ring	Ø14xØ19x2t	50046
46.3.1	1	1	1	Sealing ring	Ø13.5xØ20x1.5t	50046.1
47	1	1	1	Plug	G1/4"	50047
50	2	2	2	O-Ring, End plate	Ø186x3.5	50050
53	9	9	9	Hexagon head screw	M12x45	50053
54	9	9	9	Spring Lock washer	S/W, Ø12	50054
60	4	4	4	Taper Pin	Ø6x35	50060
65	1	1	1	A-Shaft key	8x7x35	50065
66	1	1	1	B-Shaft key	8x7x30	50066
75	1	1	1	Oil sump	EV-0250	50075A
79	1	1	1	Sheet metal baffle	162x450x1t	50079
83	1	1	1	Oil sight glass	G 1"	50083
84	1	1	1	Gasket, Oil sight glass	Ø34xØ40x1t	50034
88	1	1	1	Plug, Oil fill	G 3/4"	02088
89	1	1	1	O-Ring, Oil fill plug	Ø22x2.0	02089
95	1	1	1	Plug, Oil drain	G 1/2"	02095
96	1	1	1	O-Ring, Oil drain plug	Ø15x2.3	02096
99	1	1	1	Threaded fitting	3/4" - 16 UNF	06099
100	1	1	1	oil filter	W940/15N	50100
105	1	1	1	Oil sump cover plate	160x170/4-Ø9	50105
106	1	1	1	Gasket, Oil sump cover	160x170x1t	50106
107	4	4	4	Allen bolt	M8x25	50107
108	4	4	4	Sealing ring	Ø8xØ13x1t	50108
115	1	1	1	Filter bracket	for 4 filter elements	50115
120	4	4	4	Exhaust filter	Ø70x375	50120A
121	4	4	4	O-Ring, Exhaust filter	Ø35x4.0	02121
125	4	4	4	Filter spring	106x12x1.5t	02125
126	4	4	4	Slotted cheese head screw	M4x25	02126
136	1	1	1	Gasket, Service cover	130x105x1t	50136
137	2	2	2	Sealing ring	Ø8xØ13x1t	50108
138	2	2	2	Allen bolt	M8x30	50138
139	1	1	1	Servic cover	130x105x45/4-Ø9	50139
140	4	4	4	Allen bolt	M8x30	50138
141	1	1	1	Gasket, Separator cover	240x195x1t	50141
142	1	1	1	Separator cover plate	240x195/4-Ø9	50142
143	4	4	4	Sealing ring	Ø8xØ13x1t	50108
150	1	1	1	Gasket, Exhaust cover	125x125x1t	50150
152	4	4	4	Sealing ring	Ø8xØ13x1t	50108
153	1	1	1	Exhaust threaded cover	125x125/4-Ø9	50153
155	4	4	4	Allen bolt	M8x25	50107
156	1	1	1	Outlet screen	Ø65x1t	06156
159	4	4	4	Exhaust valve ass'y( 159.1~ 159.6)		50159
159-1	4	4	4	Exhaust valve fixed bolt		50159,1
159-2	4	4	4	Exhaust valve washer		50159,2
159-3	4	4	4	Exhaust valve spring		50159,3
159-4	4	4	4	Exhaust valve plate		50159,4
159-5	4	4	4	Exhaust valve lock nut		50159,5
159-6	4	4	4	Exhaust valve seat plate		50159,6
163	2	2	2	Allen bolt	M8x50	50163
164	2	2	2	Sealing ring	Ø8xØ13x1t	50108
168	1	1	1	O-Ring, Valve cover plate	Ø3xL280	50168

Eurovacuum B.V. EV-0250 Parts List						
Pos.No.	Quantity			Description	Part Description	Art.No.
	N	L	NM			
169	1	1	1	Valve cover plate	102x110x18	50169
175	1	1	1	Plug	G1/2"	50175
176	1	1	1	Hex nut	M8	06191
177	1	1	1	Stud bolt	M8x70	50177
185	1	1	1	Gasket, Cylinder	180x145x1t	50185
186	5	5	5	Allen bolt	M8x55	06186
187	5	5	5	Spring Lock washer	S/W, Ø8	02190
189	2	2	2	Stud	M8x40	06186
190	2	2	2	Spring Lock washer	S/W, Ø8	02190
191	2	2	2	Hex nut	M8	06191
205	1	1	1	Side cover plate	300x160/12-Ø7	50205
206	1	1	1	Gasket, Side cover plate	300x160x1t	50206
207	12	12	12	Allen bolt	M6x20	06107
208	12	12	12	Sealing ring	Ø6xØ10x1t	06108
219	1	1	1	Straight hydraulic fitting	BMC 1/4"xØ10	50219
220	2	2	2	Straight hydraulic fitting	BLM 3/8"xØ15	50220A
221	1	1	1	BSLM hydraulic fitting	BSLM 1/4" x Ø10	50221A
221S-1	1	1	1	Sealing Ring for 221	Ø13.5xØ20x1.5t	50046.1
221S-2	1	1	1	Sealing Ring for 221	Ø14xØ19x2t	50046.
222	1	1	1	BSLM Hydraulic fitting	BSLM 3/8" x Ø 15	120226
222S	2	2	2	Sealing Ring	Ø24xØ18x2t	120226S
230	1	1	1	Oil tube (A-1)	Ø15	50230A
231	1	1	1	Oil tube (B-1)	Ø10	50231B
232	1	1	1	Oil tube (B-2)	Ø10	50232A
233	1	1	1	BSLM hydraulic fitting	BSLM 1/4"xØ10	50233
233S-1	1	1	1	Sealing Ring for 233	Ø13.5xØ20x1.5t	50046.1
233S-2	1	1	1	Sealing Ring for 233	Ø14xØ19x2t	50046.
234	1	1	1	Oil Tube (A-2)	Ø 15	50234
237	1	1	1	BLT Hydraulic fitting	BLT Ø10/15	50237
241	1	1	1	Radiator	EV-0250	50241
242	1	1	1	Cover( front), radiator	EV-0250	50242
243	1	1	1	Cover( rear), radiator	EV-0250	50243
250	1	1	1	Inlet flange,Lower housing	Ø115x48	50250
251	1	1	1	Check valve plate	Ø9.5xØ78x55	50251
252	1	1	1	Check valve guide	Ø10/Ø82x25	50252
253	1	1	1	O-Ring, Check valve plate	Ø65x3.0	06255
254	1	1	1	Check valve spring	D75xNt6xL100xd1.2	50254
255	2	2	2	O-Ring, In-let part	Ø87x3	50255
260	1	1	1	Inlet flange , Upper housing	G 2"	50260
261	1	1	1	Inlet screen (conical)	mw0.5,Do20/d74.5xh40	50261
265	4	4	4	Allen bolt	M8x120	50265
266	4	4	4	Spring Lock washer	S/W, Ø8	02190
270*	1	-	1	Plug (For N Only)	G1/8"	02270
275*	1	-	1	Oil return valve (For N Only)	M8x1.0x45	50275
275S*(276*)	1	-	1	Sealing ring (For N Only) for 275*	Ø8.5xØ14x1t	02276
285**	-	1	-	Oil Recirculation Screw (For L Only)	M8x1.0x50	50285
285S-1**	-	1	-	Sealing ring (For L Only) for 285**	Ø8.5xØ14x1t	02287
285S-2**	-	2	-	Sealing ring (For L Only) for 285**	Ø8.5xØ12x1t	02288
286**	-	1	-	Banjo fitting (For L Only)	Ø8.5xØ4	02286
290**	-	1	-	Return oil tube (For L Only)	Ø4x420	50290
291**	-	1	-	Elbow hydraulic fitting ( For L only)	BLS 1/8"xØ4	02222
300	1	1	1	Motor mounting bracket	P.c.d 210/3xd14	50300A
301	3	3	3	Stud	M12x75	50301
302	3	3	3	Spring Lock washer	S/W, Ø12	50054
303	3	3	3	Hex nut	M12	50303
310A (new)	1	1	1	Coupling Set (311 ~313)	EV-0250	50310A
311A	1	1	1	Coupling, Pump side	Teeth type	50311A
312A	1	1	1	Coupling, Housing	Plastic, Sleeve	50312A
313A	1	1	1	Coupling, Motor side	Teeth type	50313A
316	2	2	2	Set screw (pump side)	M8x10	43316
317	2	2	2	Set screw ( Motor side)	M8x10	43316
321	1	1	1	Pump shaft end fan	Ø200x90/Ø30	50321
322	1	1	1	Motor shaft end fan for IEC Motor	AL casting, Ø200x90/Ø38	50322B
341	3	3	3	Hexagon head screw	M5x15	50341

**Eurovacuum B.V. EV-0250 Parts List**

Pos.No.	Quantity			Description	Part Description	Art.No.
	N	L	NM			
345	1	1	1	Fan Cover	EV-0250	50345A
359	4	4	4	Allen Bolt		50359
360	4	4	4	Allen Bolt		50360
390	1	1	1	Adapter for eye bolt	30x140/H50	50390
391	1	1	1	Eye bolt	M12	50391
392	1	1	1	Spring Lock washer	S/W ,Ø12	50054
393	1	1	1	Hexagon head screw	M12x70	50393
400	1	1	1	Motor (IEC)-50Hz	10Hp, 3 Ph , 50Hz	50400B
400	1	1	1	Motor (IEC)-60Hz	10Hp, 3 Ph , 60Hz	50400A
400,3	1	1	1	Motor Fan (IEC)		50400,3
400,4	1	1	1	Motor Fan Cover (IEC)		50400,4
401	4	4	4	Hexagon head screw	M12x35	50402
402	4	4	4	Spring Lock washer	S/W ,Ø12	50054
415	1	1	1	Hex nut	M10	50415
416	2	2	2	Slotted set screw	M10x30	50416
417	1	1	1	Slotted set screw	M10x20	50417
419	1	1	1	Sleeve	Ø10xØ30x10t	50419
421	3	3	3	Rubber foot	Ø50x30/M10	43421
423	1	1	1	Spring Lock Washer	SW ,Ø10	50423
425	1	1	1	Washer	Ø10xØ20x2t	50425
430	1	1	1	Name plate	38x85	02430
431	1	1	1	Directional arrow label	15x40	02431
470*	1	-	1	BSLM hydraulic fitting	BLS 1/4"xØ8	50221
470S-1	1	1	1	Sealing ring for 470	Ø13.5xØ20x1.5t	50046.1
470S-2	1	1	1	Sealing ring for 470	Ø14xØ19x2t	50046.
471*	1	-	1	Oil tube(C)	Ø8	50471
473*	1	-	1	Fitting	BMC, G3/8" x Ø 10	120473
474*	1	-	1	Gas ballast	G3/8"x Ø50 x 65	120474
477*	1	-	1	Ball Valve	G 3/8"	50477
480*	1	-	1	Gas Ballast Kit	Pos # 470 thru 474	50480
490	1	1	1	Gasket Kit	EV-0250	50490
500	1	1	1	Maintenance Kit	EV-0250	50500
600	1	1	1	Motor(NEMA)	Frame 215TC, 10Hp	50600
600,3	1	1	1	Motor Fan(NEMA)		50600,3
600,4	1	1	1	Motor Fan Cover(NEMA)		50600,4
601	4	4	4	Allen Bolt (NEMA)	1/2"	50601
610	1	1	1	Motor Mounting Flange (NEMA)		50610
611	1	1	1	Coupling, Motor side(NEMA)	For NEMA Motor	50611
622	1	1	1	Motor Shaft End Fan for Nema motor	AL casting, Ø220x80/Ø34.9	50622A
800	1	1	1	Inlet Air Filter	G 2" , Canister	50800
900	1	1	1	Pump Module	module	50900