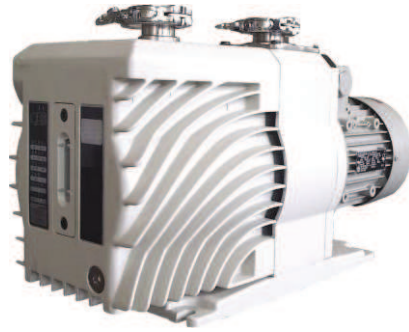
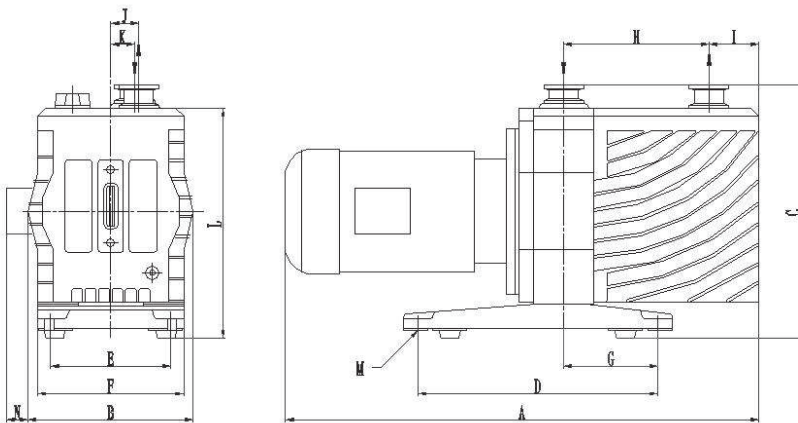
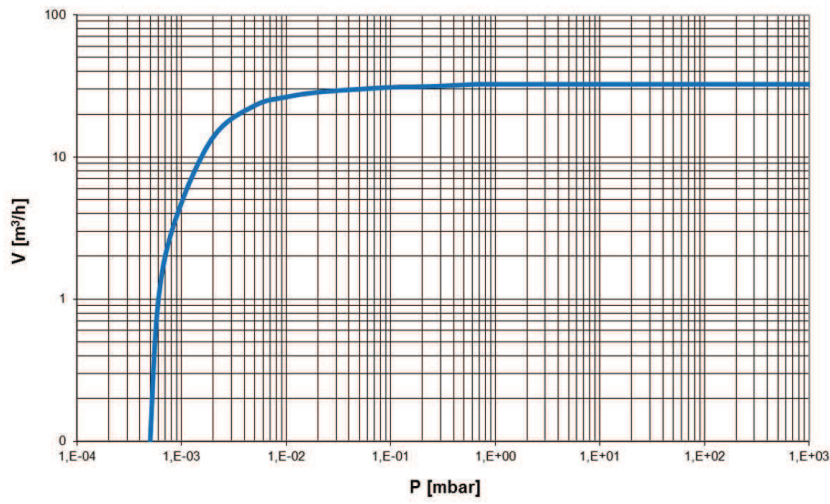


# TYPE EVD-36



**Pumping speed curve**



Dimensions	A	B	C	D	E	F	G	H	I	J	K	L	M	N
EVD-36	565	205	288/296	310	140	180	147	186	75	40	34	262	Ø12	48

## TYPE EVD-36

Technical Data		TYPE EVD-36	
		50 Hz	60 Hz
Nominal displacement	m <sup>3</sup> /h	32,5	39,0
Ultimate partial pressure	mbar	10 <sup>-4</sup>	10 <sup>-4</sup>
Ultimate total pressure	mbar	4x10 <sup>-3</sup>	4x10 <sup>-3</sup>
Motor power	kW	0,75	0,75
Nominal speed	rpm	1450	1750
Water vapor tolerance	mbar	30	30
Noise level	dB	52	54
Oil capacity	ltr	1,8	1,8
Weight	kg	39	39
Admissible ambient temp.	°C	10 to 40	10 to 40
Connection	Inlet	DIN 25 / 40 KF	25 / 40 KF
	Outlet	DIN 25 KF	25 KF

Ordering Information	TYPE EVD-36	
	25KF inlet	40KF inlet
<b>Single phase motor</b> 230V, 50/60Hz 110V, 50/60Hz	423901S 423903S	423901 423903
<b>Three phase motor</b> 400V, 50Hz / 460V, 60Hz	423902S	423902
Other Voltages/Frequencies	Upon request	
Filling with special oil	Upon request	
Exhaust oil mist filter EF-25A	420910A	
Replacement cartridge for EF-25A	420916A	
Seal kit	422911	
Overhaul kit	423912	
Inlet dust filter, polyester cartridge	778025	778040
Inlet dust filter, Activated Alumina	778026	778041
<b>EV-Highvacuum Oil-60</b>		
1 ltr can	100400	
5 ltr can	100402	
20 ltr can	100403	