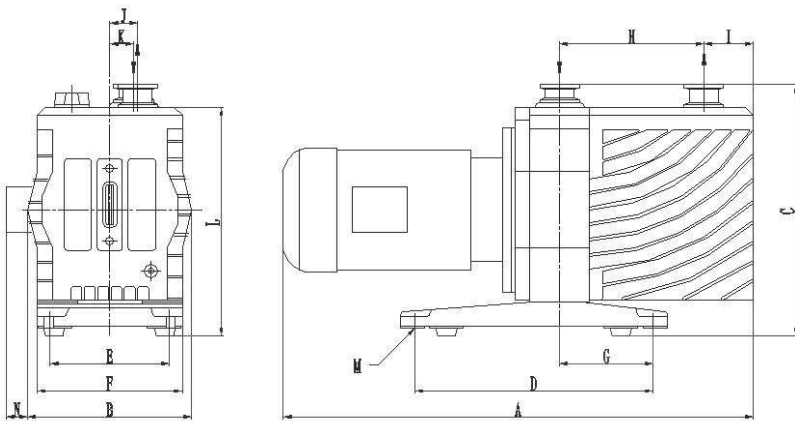
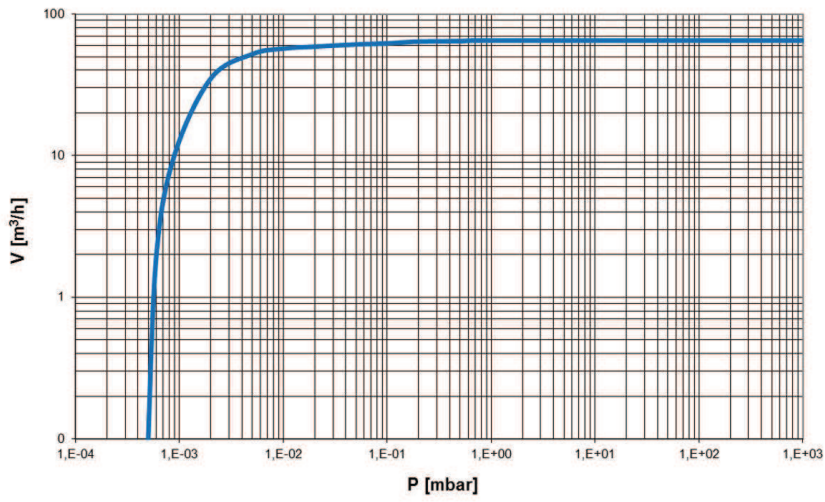


TYPE EVD-60



Pumping speed curve



Dimensions	A	B	C	D	E	F	G	H	I	J	K	L	M	N
EVD-60	730	280	410	550	185	245	310	245	95	28	45	385	Ø14	0

TYPE EVD-60

Technical Data		TYPE EVD-60	
		50 Hz	60 Hz
Nominal displacement	m ³ /h	65	78
Ultimate partial pressure	mbar	10 ⁻⁴	10 ⁻⁴
Ultimate total pressure	mbar	4x10 ⁻³	4x10 ⁻³
Motor power	kW	2,2	2,2
Nominal speed	rpm	1450	1750
Water vapor tolerance	mbar	50	50
Noise level	dB	56	58
Oil capacity	ltr	5,5	5,5
Weight	kg	83	83
Admissible ambient temp.	°C	10 to 40	10 to 40
Connection	Inlet	DIN 40 KF	40 KF
	Outlet	DIN 40 KF	40 KF

Ordering Information	TYPE EVD-60
Three phase motor 400V, 50Hz / 460V, 60Hz	425902
Other Voltages/Frequencies	Upon request
Filling with special oil	Upon request
Exhaust oil mist filter EF-40A	424910A
Replacement cartridge for EF-40A	424916A
Seal kit	425911
Overhaul kit	425912
Inlet dust filter, polyester cartridge	778040
Inlet dust filter, Activated Alumina	778041
EV-Highvacuum Oil-60	
1 ltr can	100400
5 ltr can	100402
20 ltr can	100403