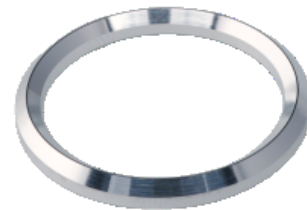


Aluminum Seal

INFICON ISO-KF fittings are manufactured according to ISO 2861/1, DIN 28403 and Pneurop 6606. Our quality fittings are the standard components for all vacuum and high vacuum applications. The high quality INFICON components are designed and tested for leak rates less than 1×10^{-9} mbar l/s.



BENEFITS

- Competitively priced
- World wide logistics
- Design and measures follow strictly international respected standards
- 2011/65/EU RoHS compliant

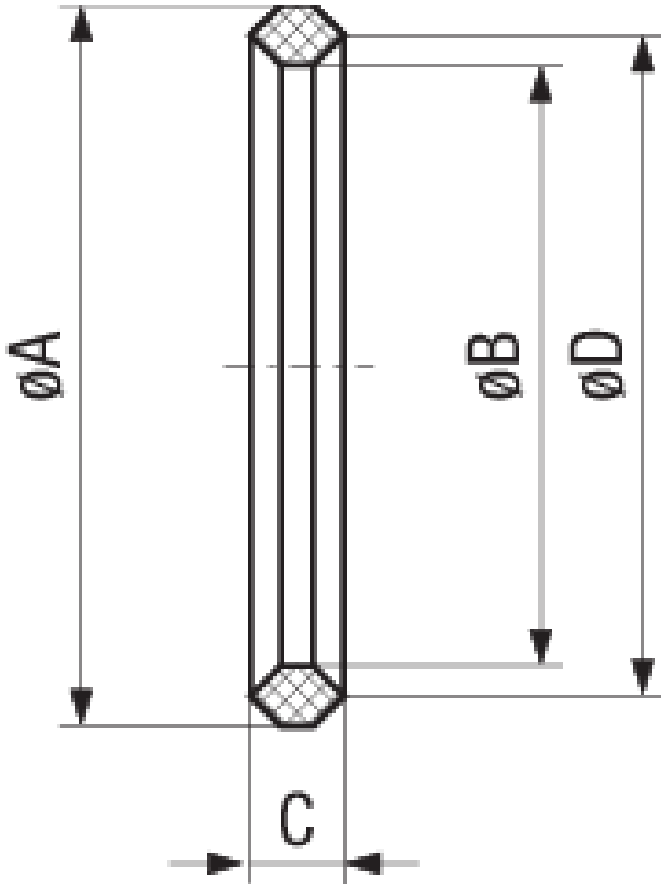
ORDERING INFORMATION

Type	DN 10-16 ISO-KF	DN 20-25 ISO-KF	DN 32-40 ISO-KF	DN 50 ISO-KF
Al seal DN 10-16 ISO-KF, 3 pcs.	211-167			
Al seal DN 20-25 ISO-KF, 3 pcs.		211-168		
Al seal DN 32-40 ISO-KF, 3 pcs.			211-169	
Al seal DN 50 ISO-KF, 3 pcs.				211-170

SPECIFICATIONS

Type	DN 10-16 ISO-KF	DN 20-25 ISO-KF	DN 32-40 ISO-KF	DN 50 ISO-KF
Dimension A	25.6	35.6	50.6	65.6
Dimension B	19.6	29.6	44.6	59.6
Dimension C	4.5	4.5	4.5	4.5
Dimension D	22.6	32.6	47.6	62.6
Material:	Aluminium annealed 6082	Aluminium annealed 6082	Aluminium annealed 6082	Aluminium annealed 6082
With support ring (optional)	211-171	211-172	211-173	211-174
Set of:	3 pieces	3 pieces	3 pieces	3 pieces

DIMENSIONS



www.inficon.com reachus@inficon.com

Due to our continuing program of product improvements, specifications are subject to change without notice. RateWatcher is a trademark of INFICON. All other trademarks are the property of their respective owners.

(2014-09) © 2014 INFICON