

Bulkhead Clamp with Inch Screws

INFICON ISO-KF fittings are manufactured according to ISO 2861/1, DIN 28403 and Pneurop 6606. Our quality fittings are the standard components for all vacuum and high vacuum applications. The high quality INFICON components are designed and tested for leak rates less than 1×10^{-9} mbar l/s.



LEISTUNGEN

- Competitively priced
- Design and measures follow strictly international respected standards
- World wide logistics
- 2011/65/EU RoHS compliant

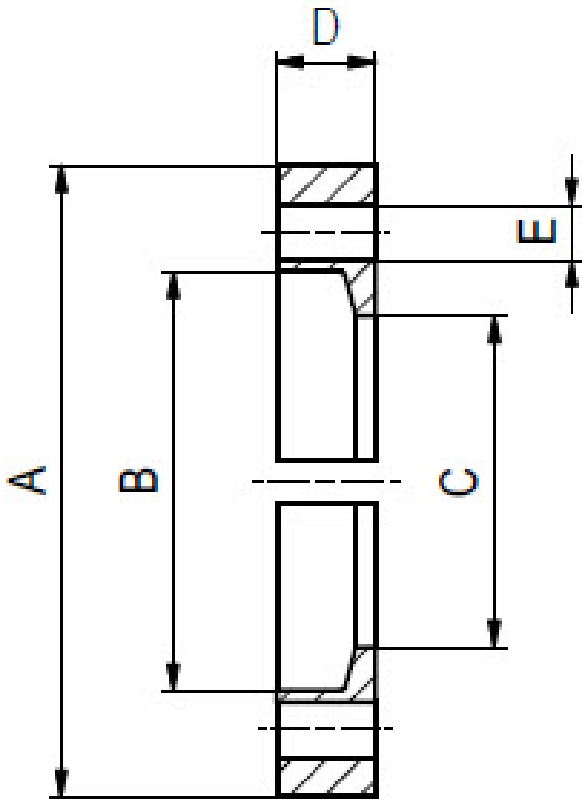
BESTELLINFORMATIONEN

Typ	DN 10-16 ISO-KF	DN 20-25 ISO-KF	DN 32-40 ISO-KF	DN 50 ISO-KF
Überwurf-Halbschalen DN 10-16 ISO-KF	211-545			
Überwurf-Halbschalen DN 20-25 ISO-KF		211-546		
Überwurf-Halbschalen DN 32-40 ISO-KF			211-547	
Überwurf-Halbschalen DN 50 ISO-KF				211-548

TECHNISCHE DATEN

Typ	DN 10-16 ISO-KF	DN 20-25 ISO-KF	DN 32-40 ISO-KF	DN 50 ISO-KF
Dimension A	51	61	75	95
Dimension B	30.4	40.4	55.4	75.4
Dimension C	22	32	47	62
Dimension D	9.5	9.5	9.5	10
097a0f32-3edb-4313-a6e7-476a66e8f7c6	5.3			
Dimension E		5.3	5.3	5.3
Clamp half:	Aluminium 6082		Aluminium 6082	Aluminium 6082
Clamp half:	Aluminium 6082			
Bolt:	Hexagon socket head cap screw;	Hexagon socket head cap screw;	Hexagon socket head cap screw;	Hexagon socket head cap screw;
	Inox, 10-32 UNF x 5/8";	Inox, 10-32 UNF x 5/8";	Inox, 10-32 UNF x 5/8";	Inox, 10-32 UNF x 5/8";
	silver plated	silver plated	silver plated	silver plated
Washer:	Washer DIN 125 A , A2		Washer DIN 125 A , A2	Washer DIN 125 A , A2
	5.3/10x1		5.3/10x1	5.3/10x1
Washer:		Washer DIN 125 A , A2		
		5.3/10x1		
Number of Screws:	6	6	6	8

ABMESSUNGEN



www.inficon.com reachus@inficon.com

Aufgrund laufender Produktverbesserungen können sich Spezifikationen ohne vorherige Bekanntmachung ändern.
RateWatcher ist eine eingetragene Marke von INFICON. Alle anderen Marken sind das Eigentum ihrer jeweiligen Eigentümer.

(2014-09) © 2014 INFICON