

Bulkhead Clamp with Inch Screws

INFICON ISO-KF fittings are manufactured according to ISO 2861/1, DIN 28403 and Pneurop 6606. Our quality fittings are the standard components for all vacuum and high vacuum applications. The high quality INFICON components are designed and tested for leak rates less than 1×10^{-9} mbar l/s.



BENEFITS

- Competitively priced
- Design and measures follow strictly international respected standards
- World wide logistics
- 2011/65/EU RoHS compliant

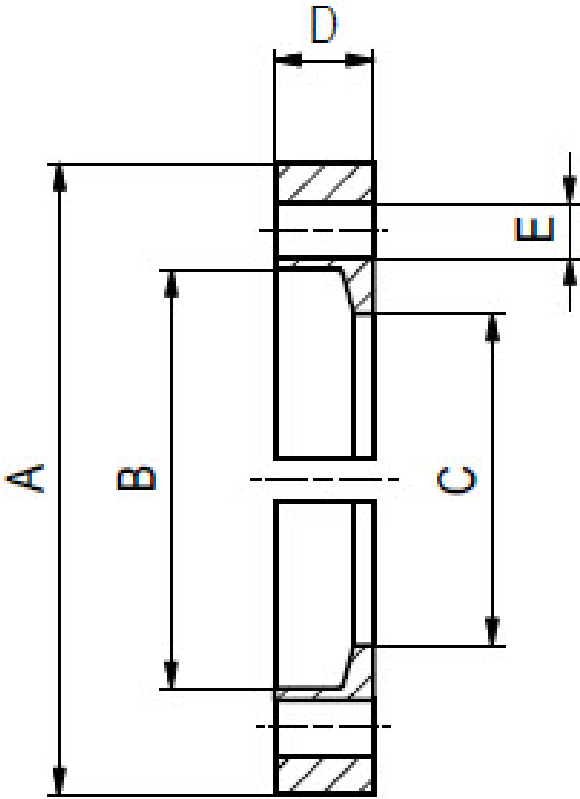
ORDERING INFORMATION

Type	DN 10-16 ISO-KF	DN 20-25 ISO-KF	DN 32-40 ISO-KF	DN 50 ISO-KF
Bulkhead clamp DN 10-16 ISO-KF	211-545			
Bulkhead clamp DN 20-25 ISO-KF		211-546		
Bulkhead clamp DN 32-40 ISO-KF			211-547	
Bulkhead clamp DN 50 ISO-KF				211-548

SPECIFICATIONS

Type	DN 10-16 ISO-KF	DN 20-25 ISO-KF	DN 32-40 ISO-KF	DN 50 ISO-KF
Dimension A	51	61	75	95
Dimension B	30.4	40.4	55.4	75.4
Dimension C	22	32	47	62
Dimension D	9.5	9.5	9.5	10
Dimension E	5.3	5.3	5.3	5.3
Clamp half:	Aluminum 6082	Aluminum 6082	Aluminum 6082	Aluminum 6082
Bolt:	Hexagon socket head cap screw; Inox, 10-32 UNF x 5/8"; silver plated	Hexagon socket head cap screw; Inox, 10-32 UNF x 5/8"; silver plated	Hexagon socket head cap screw; Inox, 10-32 UNF x 5/8"; silver plated	Hexagon socket head cap screw; Inox, 10-32 UNF x 5/8"; silver plated
Washer:	Washer DIN 125 A , A2 5.3/10x1	Washer DIN 125 A , A2 5.3/10x1	Washer DIN 125 A , A2 5.3/10x1	Washer DIN 125 A , A2 5.3/10x1
Number of Screws:	6	6	6	8

DIMENSIONS



www.inficon.com reachus@inficon.com

Due to our continuing program of product improvements, specifications are subject to change without notice.
RateWatcher is a trademark of INFICON. All other trademarks are the property of their respective owners.

(2014-09) © 2014 INFICON