

Bulkhead Clamp with Inch Screws

INFICON ISO-KF fittings are manufactured according to ISO 2861/1, DIN 28403 and Pneurop 6606. Our quality fittings are the standard components for all vacuum and high vacuum applications. The high quality INFICON components are designed and tested for leak rates less than 1×10^{-9} mbar l/s.



BENEFICIOS

- Competitively priced
- Design and measures follow strictly international respected standards
- World wide logistics
- 2011/65/EU RoHS compliant

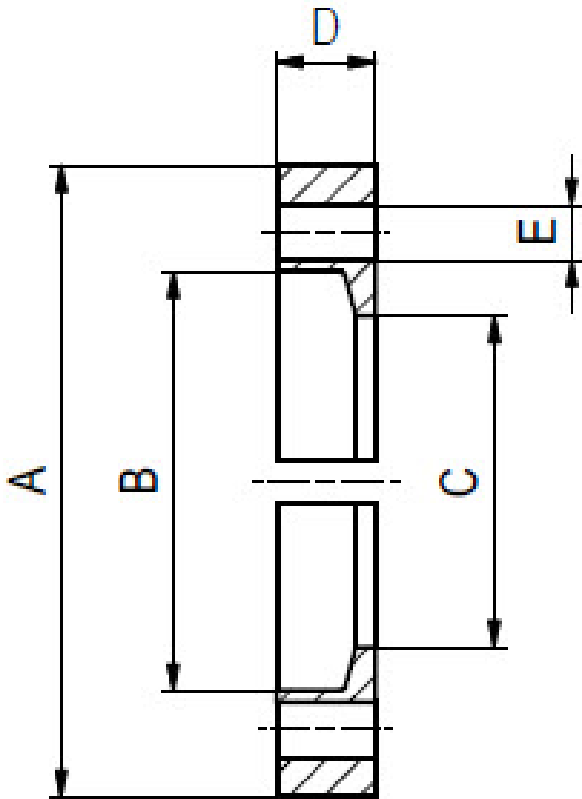
INFORMACIÓN DEL PEDIDO

Tipo	DN 10-16 ISO-KF	DN 20-25 ISO-KF	DN 32-40 ISO-KF	DN 50 ISO-KF
Bulkhead clamp DN 10-16 ISO-KF	211-545			
Bulkhead clamp DN 20-25 ISO-KF		211-546		
Bulkhead clamp DN 32-40 ISO-KF			211-547	
Bulkhead clamp DN 50 ISO-KF				211-548

ESPECIFICACIONES

Tipo	DN 10-16 ISO-KF	DN 20-25 ISO-KF	DN 32-40 ISO-KF	DN 50 ISO-KF
Dimension A	51	61	75	95
Dimension B	30.4	40.4	55.4	75.4
Dimension C	22	32	47	62
Dimension D	9.5	9.5	9.5	10
097a0f32-3edb-4313-a6e7-476a66e8f7c6	5.3			
Dimension E		5.3	5.3	5.3
Clamp half:	Aluminum 6082		Aluminum 6082	Aluminum 6082
Clamp half:	Aluminum 6082			
Bolt:	Hexagon socket head cap screw;	Hexagon socket head cap screw;	Hexagon socket head cap screw;	Hexagon socket head cap screw;
	Inox, 10-32 UNF x 5/8";	Inox, 10-32 UNF x 5/8";	Inox, 10-32 UNF x 5/8";	Inox, 10-32 UNF x 5/8";
	silver plated	silver plated	silver plated	silver plated
Washer:	Washer DIN 125 A , A2		Washer DIN 125 A , A2	Washer DIN 125 A , A2
	5.3/10x1		5.3/10x1	5.3/10x1
Washer:		Washer DIN 125 A , A2		
		5.3/10x1		
Number of Screws:	6	6	6	8

DIMENSIONES



www.inficon.com reachus@inficon.com

Debido a nuestro programa continuo de mejoras en los productos, las especificaciones están sujetas a modificaciones sin previo aviso. RateWatcher es una marca comercial de INFICON. El resto de marcas comerciales son propiedad de sus respectivos propietarios.

(2014-09) © 2014 INFICON