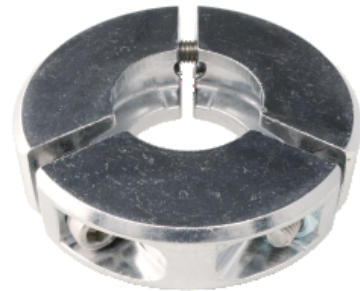


# Clamping Element

---

INFICON ISO-KF fittings are manufactured according to ISO 2861/1, DIN 28403 and Pneurop 6606. Our quality fittings are the standard components for all vacuum and high vacuum applications. The high quality INFICON components are designed and tested for leak rates less than  $1 \times 10^{-9}$  mbar l/s.



## BENEFITS

---

- Competitively priced
- Design and measures follow strictly international respected standards
- World wide logistics
- 2011/65/EU RoHS compliant

## ORDERING INFORMATION

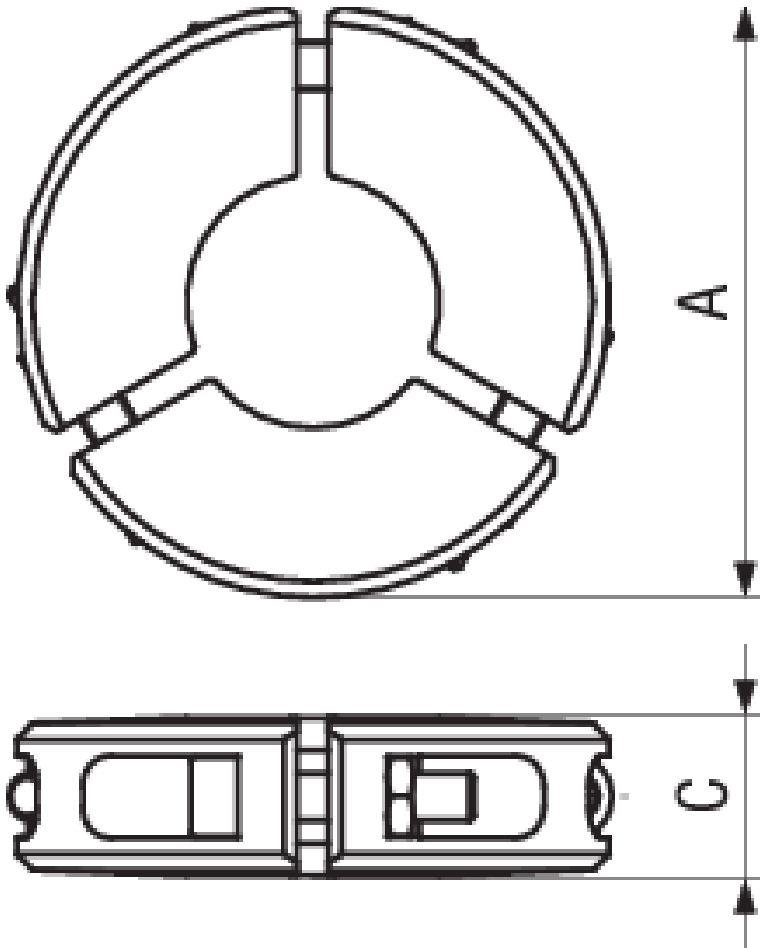
---

Type	DN 10 - 16 ISO-KF	DN 20 - 25 ISO-KF	DN 32 - 40 ISO-KF	DN 50 ISO-KF
Clamping ring for Al seal DN 10-16 KF	211-008			
Clamping ring for Al seal DN 20-25 KF		211-009		
Clamping ring for Al seal DN 32-40 KF			211-010	
Clamping ring for Al seal DN 50 ISO-KF				211-011

## SPECIFICATIONS

Type	DN 10 - 16 ISO-KF	DN 20 - 25 ISO-KF	DN 32 - 40 ISO-KF	DN 50 ISO-KF
Dimension A	52	75	90	115
Dimension C	18	20	23	28
Clamping Element:	Aluminum 380.0	Aluminum 380.0	Aluminum 380.0	Aluminum 380.0
Bolt:	Stainless Steel	Stainless Steel	Stainless Steel	Stainless Steel
Nut:	Steel zinc plated	Steel zinc plated	Steel zinc plated	Steel zinc plated

## DIMENSIONS



[www.inficon.com](http://www.inficon.com)    [reachus@inficon.com](mailto:reachus@inficon.com)

Due to our continuing program of product improvements, specifications are subject to change without notice. RateWatcher is a trademark of INFICON. All other trademarks are the property of their respective owners.

(2015-03)    © 2015 INFICON