

External Centering Ring Aluminum

INFICON ISO-KF fittings are manufactured according to ISO 2861/1, DIN 28403 and Pneurop 6606. Our quality fittings are the standard components for all vacuum and high vacuum applications. The high quality INFICON components are designed and tested for leak rates less than 1×10^{-9} mbar l/s.



BENEFITS

- Competitively priced
- World wide logistics
- Design and measures follow strictly international respected standards
- 2011/65/EU RoHS compliant

ORDERING INFORMATION

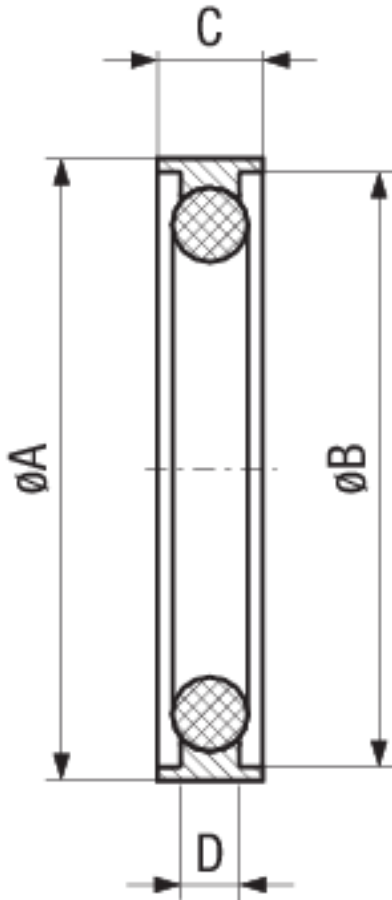
Ext. centering ring cpl. DN 10-16 KF, CR	211-081
Ext. centering ring cpl. DN 10-16KF, FPM	211-085
Ext. centering ring cpl. DN 20-25 KF,FPM	211-086
Ext. centering ring cpl. DN 20-25KF, CR	211-082
Ext. centering ring cpl. DN 32-40 KF, CR	211-083
Ext. centering ring cpl. DN 32-40 KF,FPM	211-087
Ext. centering ring cpl. DN 50 KF, CR	211-084
Ext. centering ring cpl. DN 50 KF, FPM	211-088
Ext. centering ring DN 10-16 KF,AI / NBR	211-700
Ext. centering ring DN 10-16 KF,AI / VMQ	211-708
Ext. centering ring DN 10-16KF,AI / EPDM	211-704
Ext. centering ring DN 20-25 KF,AI / NBR	211-701

Ext. centering ring DN 20-25 KF,AI / VMQ	211-709
Ext. centering ring DN 20-25KF,AI / EPDM	211-705
Ext. centering ring DN 32-40 KF,AI / NBR	211-702
Ext. centering ring DN 32-40 KF,AI / VMQ	211-710
Ext. centering ring DN 32-40KF,AI / EPDM	211-706
Ext. centering ring DN 50 KF, AI / EPDM	211-707
Ext. centering ring DN 50 KF, AI / NBR	211-703
Ext. centering ring DN 50 KF, AI / VMQ	211-711

SPECIFICATIONS

Type	.
DN 10-16 ISO-KF	
Dimension A	32
Dimension B	30.2
Dimension C	7
Dimension D	3.9
Ring:	Aluminum 6026
Seals:	CR, FPM, NBR, EPDM, VMQ
DN 20-25 ISO-KF	
Dimension A	42
Dimension B	40.2
Dimension C	7
Dimension D	3.9
Ring:	Aluminum 6026
Seals:	CR, FPM, NBR, EPDM, VMQ
DN 32-40 ISO-KF	
A	57
B	55.2
C	7
D	3.9
Ring:	Aluminum 6026
Seals:	CR
DN 50 ISO-KF	
A	77
B	75.2
C	7
D	3.9
Ring:	Aluminium 6026
Seals:	CR

DIMENSIONS



www.inficon.com reachus@inficon.com

Due to our continuing program of product improvements, specifications are subject to change without notice.
RateWatcher is a trademark of INFICON. All other trademarks are the property of their respective owners.

(2014-09) © 2014 INFICON