

Indium Seal

INFICON ISO-KF fittings are manufactured according to ISO 2861/1, DIN 28403 and Pneurop 6606. Our quality fittings are the standard components for all vacuum and high vacuum applications. The high quality INFICON components are designed and tested for leak rates less than 1×10^{-9} mbar l/s.



BENEFITS

- Competitively priced
- World wide logistics
- Design and measures follow strictly international respected standards
- 2011/65/EU RoHS compliant

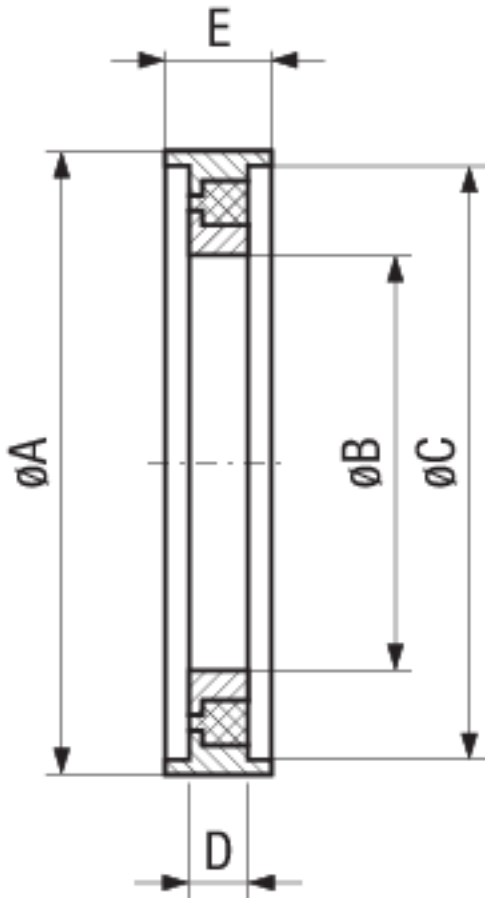
ORDERING INFORMATION

Type	DN 10-16 ISO-KF	DN 20-25 ISO-KF	DN 32-40 ISO-KF	DN 50 ISO-KF
Indium seal DN 10-16 ISO-KF	211-162			
Indium seal DN 20-25 ISO-KF		211-163		
Indium seal DN 32-40 ISO-KF			211-164	
Indium seal DN 50 ISO-KF				211-165

SPECIFICATIONS

Type	DN 10-16 ISO-KF	DN 20-25 ISO-KF	DN 32-40 ISO-KF	DN 50 ISO-KF
Dimension A	32	42	57	77
Dimension B	18	28	43	63
Dimension C	30	40	55	75
Dimension D	3.9	3.9	3.9	3.9
Dimension E	7	7	7	7
Inner Ring:	Stainless Steel 304/1.4301	Stainless Steel 304/1.4301	Stainless Steel 304/1.4301	Stainless Steel 304/1.4301
Outer Ring:	Aluminum 5012	Aluminum 5012	Aluminum 5012	Aluminum 5012
Seal:	Indium	Indium	Indium	Indium
Working temperature:	-196° ... +60° C	-196° ... +60° C	-196° ... +60° C	-196° ... +60° C

DIMENSIONS



www.inficon.com reachus@inficon.com

Due to our continuing program of product improvements, specifications are subject to change without notice.
RateWatcher is a trademark of INFICON. All other trademarks are the property of their respective owners.

(2014-09) © 2014 INFICON