

Intermediate Piece - Aluminum

INFICON ISO-KF fittings are manufactured according to ISO 2861/1, DIN 28403 and Pneurop 6606. Our quality fittings are the standard components for all vacuum and high vacuum applications. The high quality INFICON components are designed and tested for leak rates less than 1×10^{-9} mbar l/s.



BENEFITS

- Competitively priced
- World wide logistics
- Design and measures follow strictly international respected standards
- Surface finish, welds, material specifications and cleanliness meet or exceed high vacuum specifications
- 2011/65/EU RoHS compliant

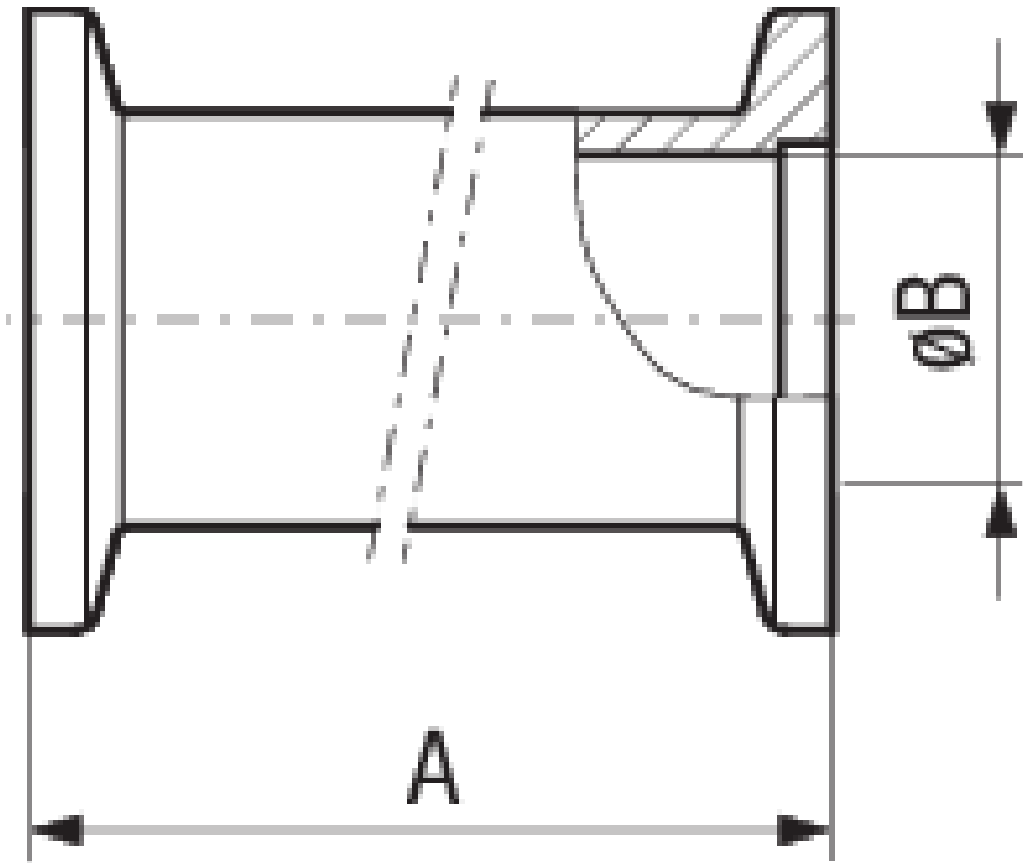
ORDERING INFORMATION

Type	DN 16 ISO-KF	DN 25 ISO-KF	DN 40 ISO-KF
Intermediate piece, Al, DN 16 ISO-K	211-227		
Intermediate piece, Al, DN 25 ISO-KF		211-228	
Intermediate piece, Al, DN 40 ISO-KF			211-229

SPECIFICATIONS

Type	DN 16 ISO-KF	DN 25 ISO-KF	DN 40 ISO-KF
Dimension A	80	100	130
Dimension B	16	25	40
Material:	Aluminum 6082	Aluminum 6082	Aluminum 6082

DIMENSIONS



www.inficon.com reachus@inficon.com

Due to our continuing program of product improvements, specifications are subject to change without notice.
RateWatcher is a trademark of INFICON. All other trademarks are the property of their respective owners.

(2014-09) © 2014 INFICON