

Rapid Fastening Clamp All Metal

INFICON ISO-KF fittings are manufactured according to ISO 2861/1, DIN 28403 and Pneurop 6606. Our quality fittings are the standard components for all vacuum and high vacuum applications. The high quality INFICON components are designed and tested for leak rates less than 1×10^{-9} mbar l/s.



BENEFITS

- Competitively priced
- Design and measures follow strictly international respected standards
- World wide logistics
- 2011/65/EU RoHS compliant

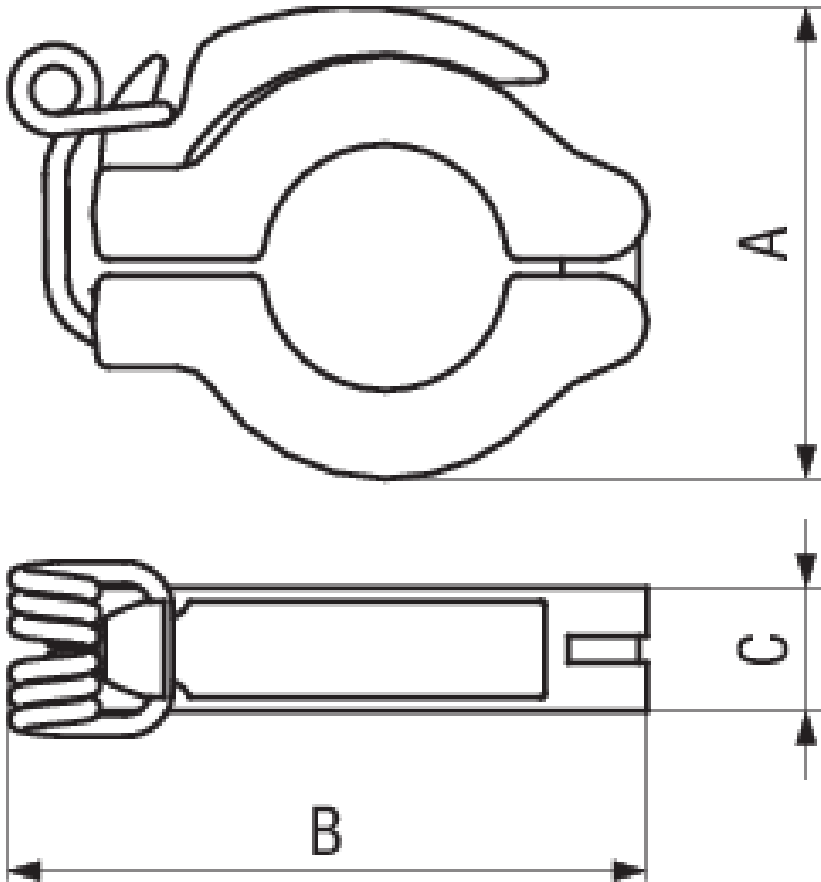
ORDERING INFORMATION

Type	DN 10 - 16 ISO-KF	DN 20 - 25 ISO-KF	DN 32 - 40 ISO-KF
Rapid fastening clamping ring DN 10-16	211-036		
Rapid fastening clamping ring DN 20-25		211-037	
Rapid fastening clamping ring DN 32-40			211-038

SPECIFICATIONS

Type	DN 10 - 16 ISO-KF	DN 20 - 25 ISO-KF	DN 32 - 40 ISO-KF
Dimension A	53	61	78
Dimension B	71	82	99
Dimension C	16	16	18
Spring:	Stainless Steel	Stainless Steel	Stainless Steel
Clamping ring half:	Aluminum 380.0	Aluminum 380.0	Aluminum 380.0
Lever:	Aluminum -/3.2582	Aluminum -/3.2582	Aluminum -/3.2582
Temperature:	Max. 150°C	Max. 150°C	Max. 150°C

DIMENSIONS



www.inficon.com reachus@inficon.com

Due to our continuing program of product improvements, specifications are subject to change without notice. RateWatcher is a trademark of INFICON. All other trademarks are the property of their respective owners.

(2014-09) © 2014 INFICON