

Adaptor ISO-KF / Swagelok

INFICON ISO-KF fittings are manufactured according to ISO 2861/1, DIN 28403 and Pneurop 6606. Our quality fittings are the standard components for all vacuum and high vacuum applications. The high quality INFICON components are designed and tested for leak rates less than 1×10^{-9} mbar l/s.



BENEFITS

- Competitively priced
- World wide logistics
- Design and measures follow strictly international respected standards
- Surface finish, welds, material specifications and cleanliness meet or exceed high vacuum specifications
- 2011/65/EU RoHS compliant

ORDER INFORMATION

Type	DN 16 ISO-KF / 6mm Swagelok	DN 25 ISO-KF / 10mm Swagelok	DN 40 ISO-KF / 16mm Swagelok	DN 16 ISO-KF / 1/8" Swagelok	DN 25 ISO-KF / 1/4" Swagelok	DN 40 ISO-KF / 1/4" Swagelok
Transition piece DN 16 KF - 1/8"				211-476		
Transition piece DN 16 KF - 6 mm	211-356					
Transition piece DN 25 KF - 1/4"					211-477	
Transition piece DN 25 KF - 10 mm		211-357				
Transition piece DN 40 KF - 1/2"						
Transition piece DN 40 KF - 1/4"						211-478
Transition piece DN 40 KF - 16 mm			211-358			

**DN 40 ISO-
KF / 1/2"
Swagelok**

211-479

SPECIFICATIONS

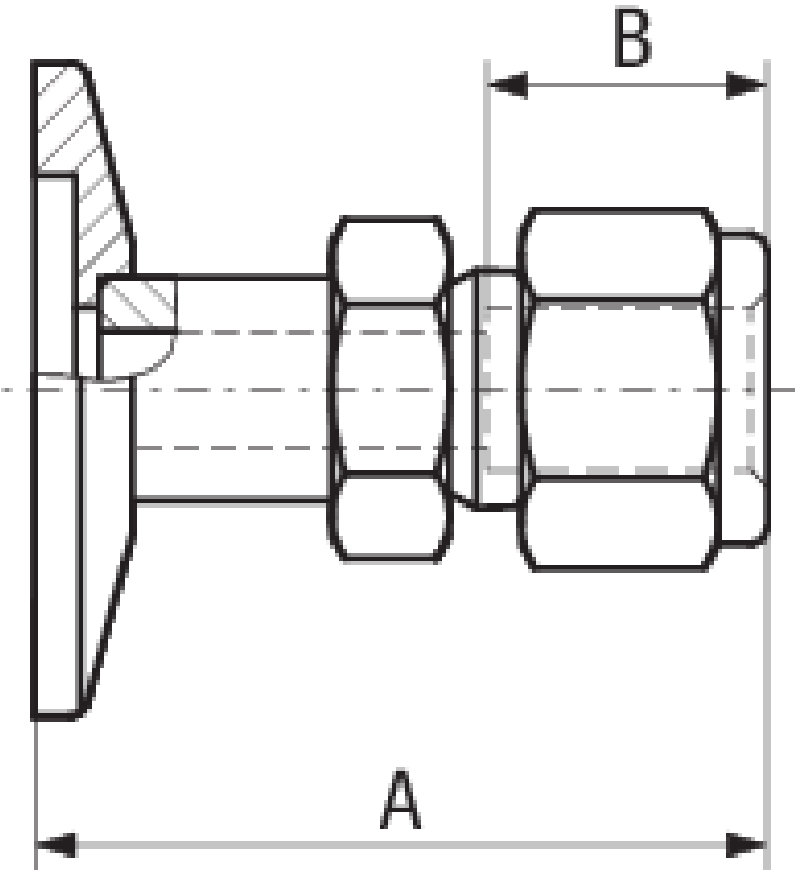
Type	DN 16 ISO- KF / 6mm Swagelok	DN 25 ISO- KF / 10mm Swagelok	DN 40 ISO- KF / 16mm Swagelok	DN 16 ISO- KF / 1/8" Swagelok	DN 25 ISO- KF / 1/4" Swagelok	DN 40 ISO- KF / 1/4" Swagelok
Dimension A	37	45	53	35	37	37
Dimension B	15.3	17.2	24.4	12.7	15.5	15.5
Flange:		Stainless Steel 304 / 1.4301	Stainless Steel 304 / 1.4301	Stainless Steel 304 / 1.4301	Stainless Steel 304 / 1.4301	Stainless Steel 304 / 1.4301
Nut:	Stainless Steel 316L / 1.4435	Stainless Steel 316L / 1.4435	Stainless Steel 316L / 1.4435	Stainless Steel 316L / 1.4435	Stainless Steel 316L / 1.4435	Stainless Steel 316L / 1.4435

width across flats metric (SI) or width across flats in inch

SPECIFICATIONS

Type	DN 40 ISO- KF / 1/2" Swagelok
Dimension A	47
Dimension B	23
Flange:	Stainless Steel 304 / 1.4301
Nut:	Stainless Steel 316L / 1.4435

DIMENSIONS



www.inficon.com reachus@inficon.com

Due to our continuing program of product improvements, specifications are subject to change without notice.
RateWatcher is a trademark of INFICON. All other trademarks are the property of their respective owners.

(2015-08) © 2015 INFICON