

Adaptor ISO-KF / VCR Female

INFICON ISO-KF fittings are manufactured according to ISO 2861/1, DIN 28403 and Pneurop 6606. Our quality fittings are the standard components for all vacuum and high vacuum applications. The high quality INFICON components are designed and tested for leak rates less than 1×10^{-9} mbar l/s.



BENEFITS

- Competitively priced
- World wide logistics
- Design and measures follow strictly international respected standards
- Surface finish, welds, material specifications and cleanliness meet or exceed high vacuum specifications
- 2011/65/EU RoHS compliant

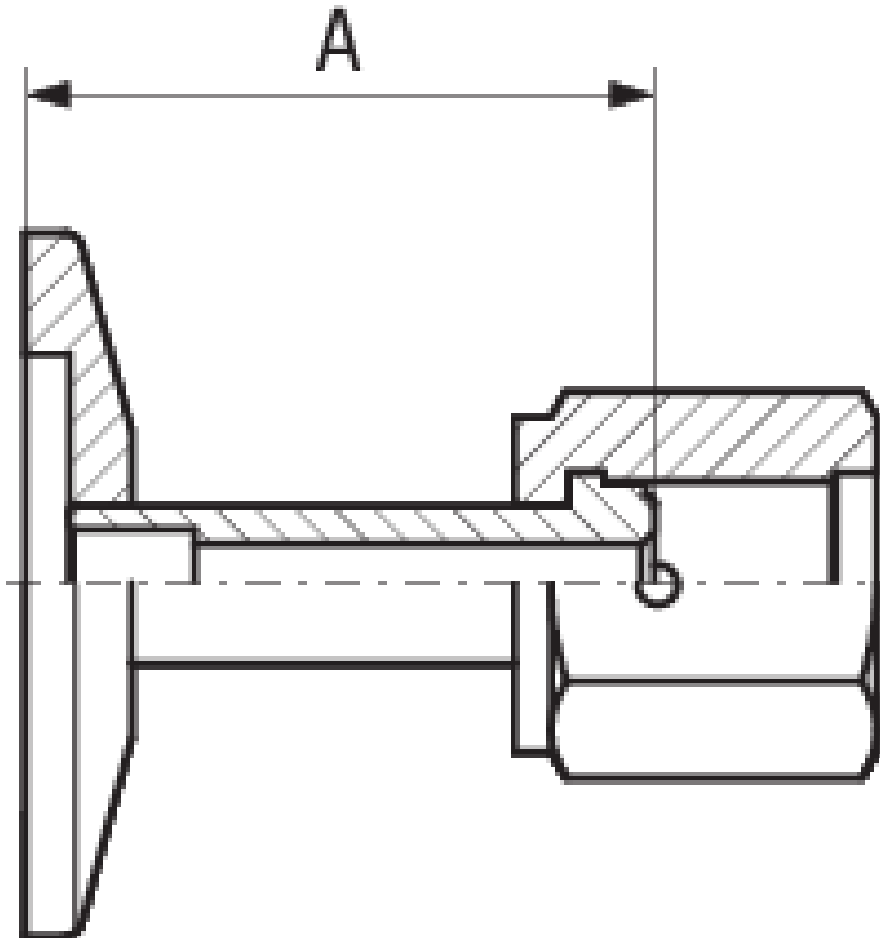
ORDERING INFORMATION

Type	DN 16 ISO-KF / 1/4" VCR	DN 25 ISO-KF / 1/4" VCR	DN 25 ISO-KF / 1/2" VCR	DN 40 ISO-KF / 3/4" VCR
Transition piece DN16KF - VCR1/4",female	211-359			
Transition piece DN25KF - VCR1/2",female			211-360	
Transition piece DN25KF - VCR1/4",female		211-480		
Transition piece DN40KF - VCR3/4",female				211-361

SPECIFICATIONS

Type	DN 16 ISO-KF / 1/4" VCR	DN 25 ISO-KF / 1/4" VCR	DN 25 ISO-KF / 1/2" VCR	DN 40 ISO-KF / 3/4" VCR
Dimension A	35.8	35.8	40.6	53.3
Flange:	Stainless Steel 304 / 1.4301	Stainless Steel 304 / 1.4301	Stainless Steel 304 / 1.4301	Stainless Steel 304 / 1.4301
Nut:	Stainless Steel 316L / 1.4435	Stainless Steel 316L / 1.4435	Stainless Steel 316L / 1.4435	Stainless Steel 316L / 1.4435

DIMENSIONS



www.inficon.com reachus@inficon.com

Due to our continuing program of product improvements, specifications are subject to change without notice.
RateWatcher is a trademark of INFICON. All other trademarks are the property of their respective owners.

(2014-09) © 2014 INFICON