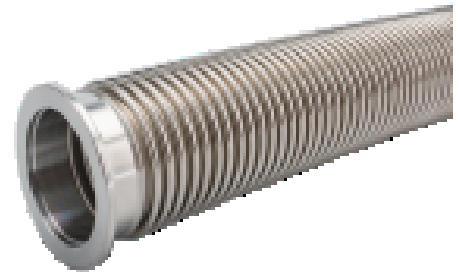


Metallschlauch, flexibel

INFICON ISO-KF fittings are manufactured according to ISO 2861/1, DIN 28403 and Pneurop 6606. Our quality fittings are the standard components for all vacuum and high vacuum applications. The high quality INFICON components are designed and tested for leak rates less than 1×10^{-9} mbar l/s.



LEISTUNGEN

- Competitively priced
- World wide logistics
- Design and measures follow strictly international respected standards
- Surface finish, welds, material specifications and cleanliness meet or exceed high vacuum specifications
- 2011/65/EU RoHS compliant

MERKMALE

- Less vibration
- Remains in formable shape
- 100% leak tested
- Mechanical formed

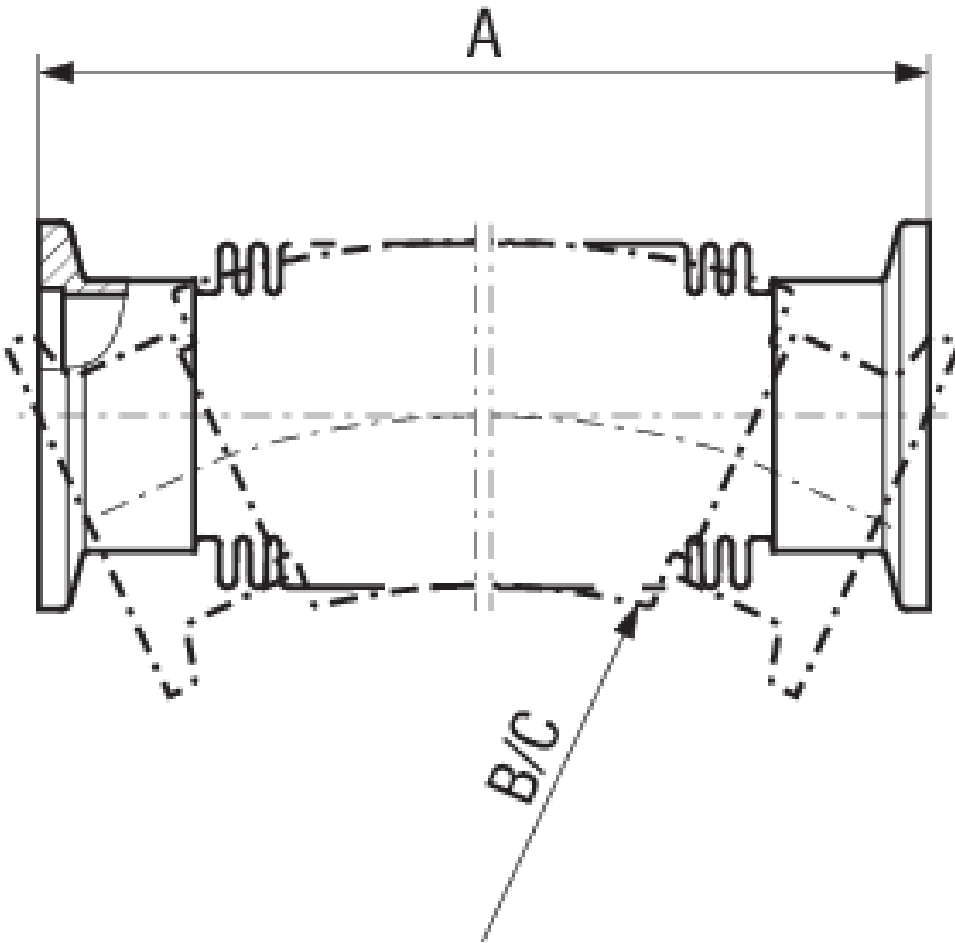
BESTELLINFORMATIONEN

Typ	DN 10 ISO-KF	DN 16 ISO-KF	DN 25 ISO-KF	DN 40 ISO-KF
Wellschlauch MF, DN 10 KF, 1000mm	211-854			
Wellschlauch MF, DN 10 KF, 250mm	211-851			
Wellschlauch MF, DN 10 KF, 500mm	211-852			
Wellschlauch MF, DN 10 KF, 750mm	211-853			
Wellschlauch MF, DN 16 KF, 1000mm		211-860		
Wellschlauch MF, DN 16 KF, 1500mm		211-861		
Wellschlauch MF, DN 16 KF, 2000mm		211-862		
Wellschlauch MF, DN 16 KF, 250mm		211-857		
Wellschlauch MF, DN 16 KF, 500mm		211-858		
Wellschlauch MF, DN 16 KF, 750mm		211-859		
Wellschlauch MF, DN 25 KF, 1000mm			211-866	
Wellschlauch MF, DN 25 KF, 1500mm			211-867	
Wellschlauch MF, DN 25 KF, 2000mm			211-868	
Wellschlauch MF, DN 25 KF, 250mm			211-863	
Wellschlauch MF, DN 25 KF, 500mm			211-864	
Wellschlauch MF, DN 25 KF, 750mm			211-865	
Wellschlauch MF, DN 40 KF, 1000mm				211-872
Wellschlauch MF, DN 40 KF, 1500mm				211-873
Wellschlauch MF, DN 40 KF, 2000mm				211-874
Wellschlauch MF, DN 40 KF, 250mm				211-869
Wellschlauch MF, DN 40 KF, 500mm				211-870
Wellschlauch MF, DN 40 KF, 750mm				211-871

TECHNISCHE DATEN

Typ	DN 10 ISO-KF	DN 16 ISO-KF	DN 25 ISO-KF	DN 40 ISO-KF
Dimension A	250, 500, 750, 1000	250, 500, 750, 1000, 1500, 2000	250, 500, 750, 1000, 1500, 2000	250, 500, 750, 1000, 1500, 2000
Dimension C	40	60	115	149
C=	Radius for single bending		Radius for single bending	Radius for single bending
Internal pressure:	Max. 4 bar	Max. 4 bar	Max. 4 bar	Max. 4 bar
3fc34891-48d1-4f4c-9cdd- e1d038a3d5f1		Radius for single bending		
Material flange:	Stainless steel 304	Stainless steel 304	Stainless steel 304	Stainless steel 304
Material bellows:	Stainless steel 316Ti	Stainless steel 316Ti	Stainless steel 316Ti	Stainless steel 316Ti

ABMESSUNGEN



www.inficon.com reachus@inficon.com

Aufgrund laufender Produktverbesserungen können sich Spezifikationen ohne vorherige Bekanntmachung ändern.
RateWatcher ist eine eingetragene Marke von INFICON. Alle anderen Marken sind das Eigentum ihrer jeweiligen Eigentümer.

(2014-09) © 2014 INFICON