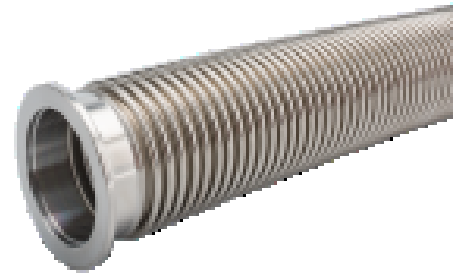


Metal Hose Flexible

INFICON ISO-KF fittings are manufactured according to ISO 2861/1, DIN 28403 and Pneurop 6606. Our quality fittings are the standard components for all vacuum and high vacuum applications. The high quality INFICON components are designed and tested for leak rates less than 1×10^{-9} mbar l/s.



BENEFITS

- Competitively priced
- World wide logistics
- Design and measures follow strictly international respected standards
- Surface finish, welds, material specifications and cleanliness meet or exceed high vacuum specifications
- 2011/65/EU RoHS compliant

FEATURES

- Less vibration
- Remains in formable shape
- 100% leak tested
- Mechanical formed

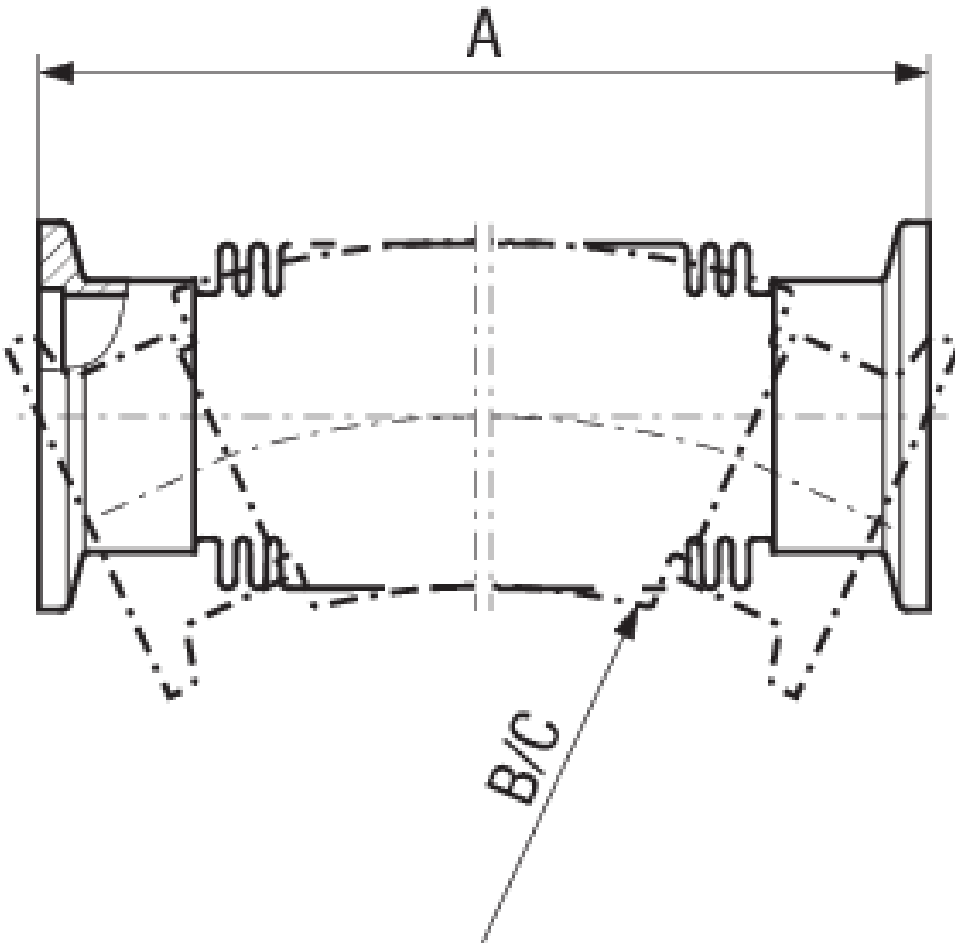
ORDERING INFORMATION

Type	DN 10 ISO-KF	DN 16 ISO-KF	DN 25 ISO-KF	DN 40 ISO-KF
Flexible metal hose MF, DN 10 KF, 1000mm	211-854			
Flexible metal hose MF, DN 10 KF, 250mm	211-851			
Flexible metal hose MF, DN 10 KF, 500mm	211-852			
Flexible metal hose MF, DN 10 KF, 750mm	211-853			
Flexible metal hose MF, DN 16 KF, 1000mm		211-860		
Flexible metal hose MF, DN 16 KF, 1500mm		211-861		
Flexible metal hose MF, DN 16 KF, 2000mm		211-862		
Flexible metal hose MF, DN 16 KF, 250mm		211-857		
Flexible metal hose MF, DN 16 KF, 500mm		211-858		
Flexible metal hose MF, DN 16 KF, 750mm		211-859		
Flexible metal hose MF, DN 25 KF, 1000mm			211-866	
Flexible metal hose MF, DN 25 KF, 1500mm			211-867	
Flexible metal hose MF, DN 25 KF, 2000mm			211-868	
Flexible metal hose MF, DN 25 KF, 250mm			211-863	
Flexible metal hose MF, DN 25 KF, 500mm			211-864	
Flexible metal hose MF, DN 25 KF, 750mm			211-865	
Flexible metal hose MF, DN 40 KF, 1000mm				211-872
Flexible metal hose MF, DN 40 KF, 1500mm				211-873
Flexible metal hose MF, DN 40 KF, 2000mm				211-874
Flexible metal hose MF, DN 40 KF, 250mm				211-869
Flexible metal hose MF, DN 40 KF, 500mm				211-870
Flexible metal hose MF, DN 40 KF, 750mm				211-871

SPECIFICATIONS

Type	DN 10 ISO-KF	DN 16 ISO-KF	DN 25 ISO-KF	DN 40 ISO-KF
Dimension A	250, 500, 750, 1000	250, 500, 750, 1000, 1500, 2000	250, 500, 750, 1000, 1500, 2000	250, 500, 750, 1000, 1500, 2000
Dimension C	40	60	115	149
C=	Radius for single bending	Radius for single bending	Radius for single bending	Radius for single bending
Internal pressure:	Max. 4 bar	Max. 4 bar	Max. 4 bar	Max. 4 bar
Material flange:	Stainless steel 304	Stainless steel 304	Stainless steel 304	Stainless steel 304
Material bellows:	Stainless steel 316Ti	Stainless steel 316Ti	Stainless steel 316Ti	Stainless steel 316Ti

DIMENSIONS



www.inficon.com reachus@inficon.com

Due to our continuing program of product improvements, specifications are subject to change without notice.
RateWatcher is a trademark of INFICON. All other trademarks are the property of their respective owners.

(2014-09) © 2014 INFICON