

PVC Hose

INFICON ISO-KF fittings are manufactured according to ISO 2861/1, DIN 28403 and Pneurop 6606. Our quality fittings are the standard components for all vacuum and high vacuum applications. The high quality INFICON components are designed and tested for leak rates less than 1×10^{-9} mbar l/s.



BENEFITS

- Competitively priced
- World wide logistics
- Design and measures follow strictly international respected standards
- Surface finish, welds, material specifications and cleanliness meet or exceed high vacuum specifications
- 2011/65/EU RoHS compliant

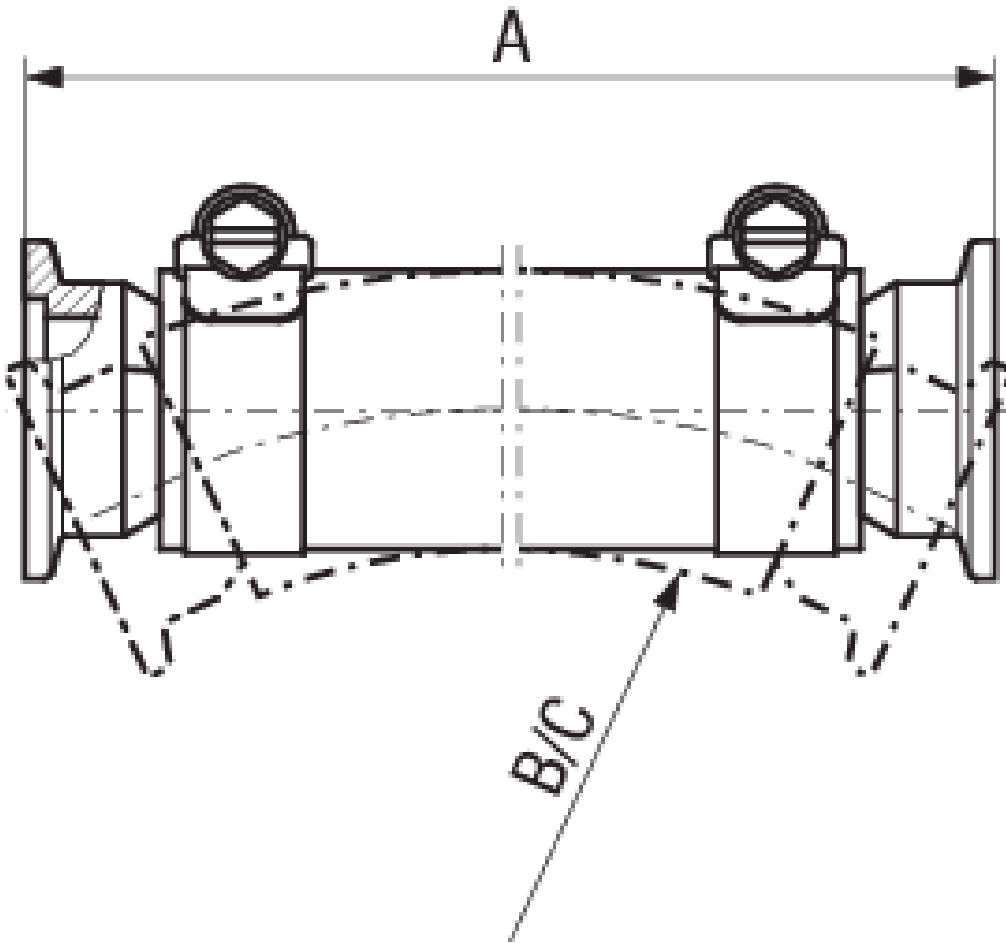
ORDERING INFORMATION

Type	DN 16 ISO-KF	DN 25 ISO-KF	DN 40 ISO-KF
PVC hose cpl. DN 25 KF, 1000 mm		211-409	
PVC hose cpl. DN 25 KF, 2000 mm		211-412	
PVC hose cpl. DN 25 KF, 500 mm		211-408	
PVC hose cpl. DN 40 KF, 500 mm			211-410
Tube PVC cpl. DN 40 KF, 1000 mm			211-411
Tube PVC cpl. DN 16 KF, 1000 mm	211-407		
Tube PVC cpl. DN 16 KF, 1500 mm	211-509		
Tube PVC cpl. DN 16 KF, 500 mm	211-406		

SPECIFICATIONS

Type	DN 16 ISO-KF	DN 25 ISO-KF	DN 40 ISO-KF
Dimension A	500, 1000, 1500	500, 1000, 2000	500, 1000
Dimension B	130	200	260
Dimension C	65	100	130
B =	radius for multiple bending	radius for multiple bending	radius for multiple bending
C =	radius for single bend	radius for single bend	radius for single bend
Hose:	PVC with cast in steel spiral	PVC with cast in steel spiral	PVC with cast in steel spiral
Nipple:	aluminum 6082	aluminum 6082	aluminum 6082
Hose clamp:	stainless steel 430	stainless steel 430	stainless steel 430

DIMENSIONS



www.inficon.com reachus@inficon.com

Due to our continuing program of product improvements, specifications are subject to change without notice.
RateWatcher is a trademark of INFICON. All other trademarks are the property of their respective owners.

(2014-09) © 2014 INFICON