

# Hose Clamp

---

INFICON ISO-KF fittings are manufactured according to ISO 2861/1, DIN 28403 and Pneurop 6606. Our quality fittings are the standard components for all vacuum and high vacuum applications. The high quality INFICON components are designed and tested for leak rates less than  $1 \times 10^{-9}$  mbar l/s.



## BENEFITS

---

- Competitively priced
- World wide logistics
- Design and measures follow strictly international respected standards
- Surface finish, welds, material specifications and cleanliness meet or exceed high vacuum specifications
- 2011/65/EU RoHS compliant

## ORDERING INFORMATION

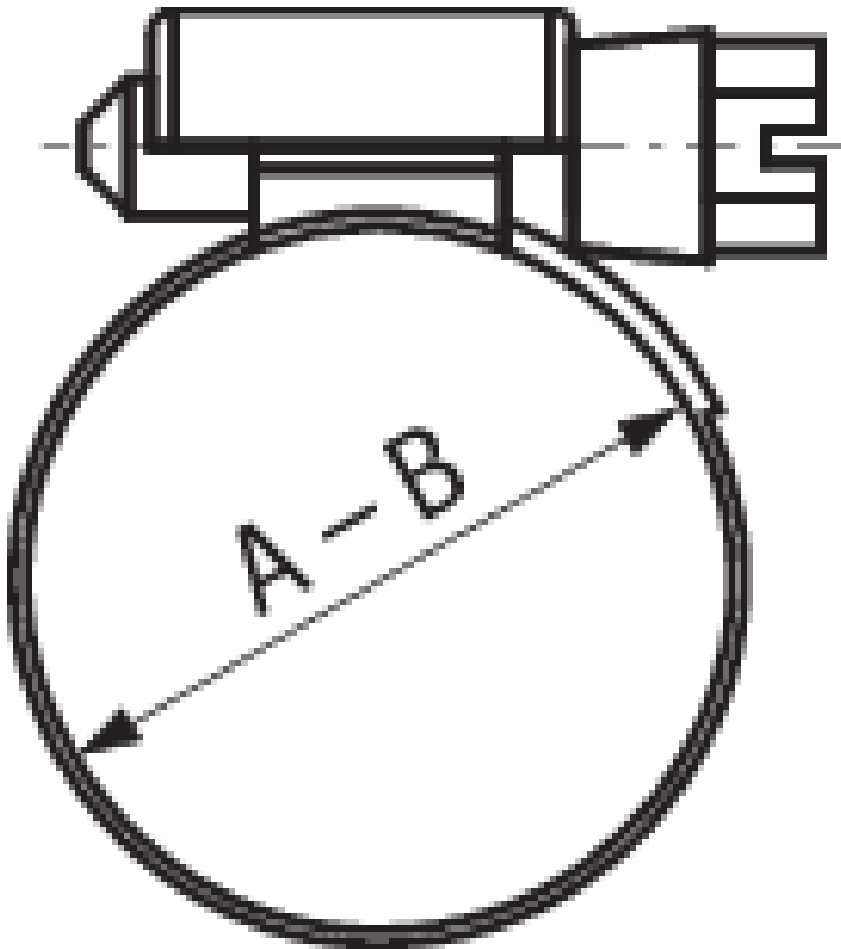
---

Type	DN 16 ISO-KF	DN 25 ISO-KF	DN 40 ISO-KF
Hose clamp, inox, $\varnothing$ 13-32	211-461		
Hose clamp, inox, $\varnothing$ 19-44		211-462	
Hose clamp, inox, $\varnothing$ 26-76			211-463

## SPECIFICATIONS

Type	DN 16 ISO-KF	DN 25 ISO-KF	DN 40 ISO-KF
Dimension A	13	19	26
Dimension B	32	44	76
Material:	Stainless steel 430/-	Stainless steel 430/-	Stainless steel 430/-

## DIMENSIONS



[www.inficon.com](http://www.inficon.com)    [reachus@inficon.com](mailto:reachus@inficon.com)

Due to our continuing program of product improvements, specifications are subject to change without notice.  
RateWatcher is a trademark of INFICON. All other trademarks are the property of their respective owners.

(2015-03)    © 2015 INFICON