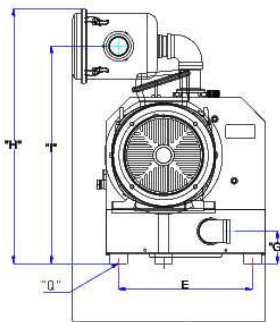
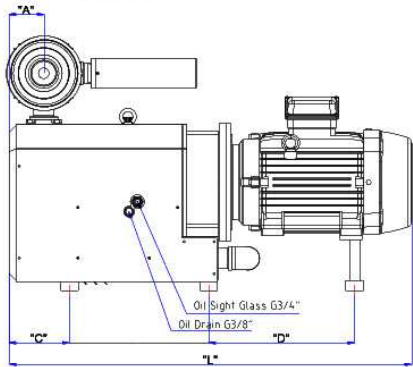
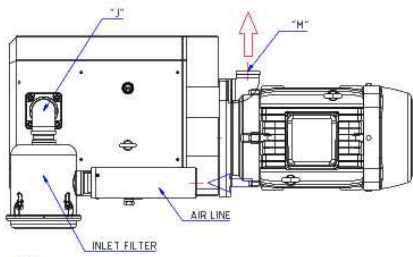
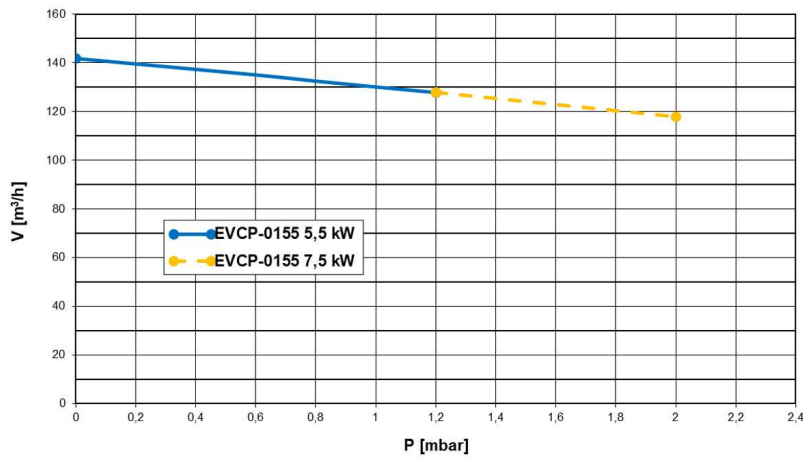




Capacity curve



Dimensions	L	W	H	A	B	C	D	E	G	I	J	M	Q
EVCP-0155 (5,5 / 7,5 kW)	903 / 941	431	643	136	380	113	556	356	89	550	G 1-1/2"	G 1-1/2"	M10 Tap

TYPE EVCP-0155

Technical Data		TYPE EVCP-0155	
		50 Hz	60 Hz
Pressure flow rate	m ³ /h	150	180
Maximum pressure cont.	bar	1,0/2,0	1,0/2,0
Motor power	kW	5,5/7,5	6,5/9,0
Nominal speed	rpm	2850	3450
Noise level	dB(A)	80	82
Oil filling gear housing	ltr	0,5	0,5
Admissible ambient temp.	°C	5 to 40	5 to 40
Connection	Inlet	G(BSP)	1½"
	Outlet	G(BSP)	1½"

Ordering Information	TYPE EVCP-0155	
	50 Hz	60 Hz
Three phase motor 400V, 50Hz (IEC) / 5,5 kW / 1,0 bar 400V, 50Hz (IEC) / 7,5 kW / 2,0 bar 400V, 60Hz (IEC) / 6,5 kW / 1,0 bar 400V, 60Hz (IEC) / 9,0 kW / 2,0 bar	613051 613052	613056 613057
Other Voltages/Frequencies	Upon request	
Gasket set	10049000	
Overhaul kit	10050000	
Spare filter cartridge for inlet filter	80130	