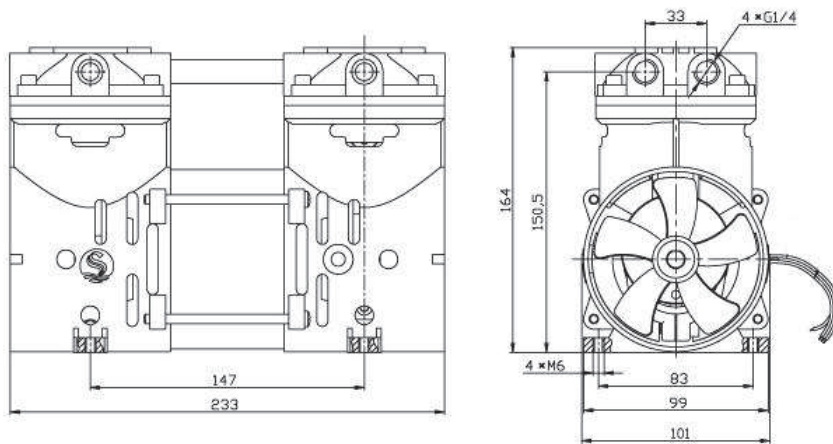


TYPE EVPP-D02



Technical Data		TYPE EVPP-D02	
		Vacuum	Pressure
Nominal displacement	l/m	81,7	81,7
Ultimate vacuum/pressure	bar	-0,92	+2,0
Motor power	W	210	300
Rotation speed @50Hz	rpm	1450	1400
Weight	kg	6,5	6,5
Noise (at ultimate pressure)	dB(A)	62	65
Admissible ambient temp.	°C	-5 to 40	-5 to 40
Connections	G(BSP)	1/4"	1/4"
Dimensions LxWxH	mm	233x101x164	233x101x164

Ordering Information	EVPP-D02	
EVPP-D02 with 230V, 50Hz motor	670.020	675.020
Damper G1/4"	670.900	
Accessories	See accessories page	