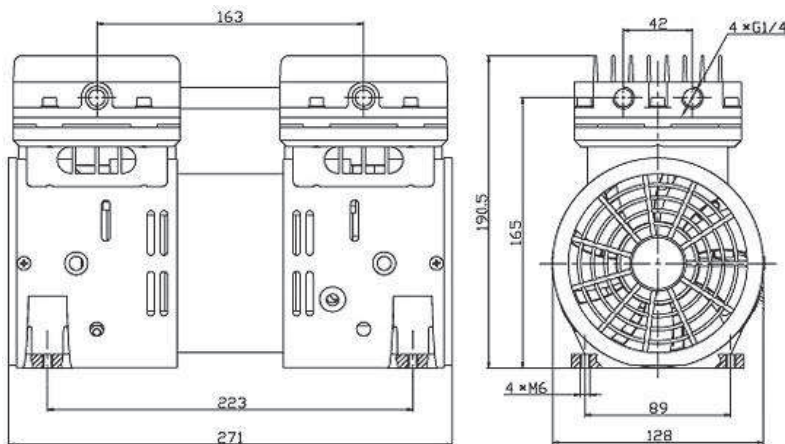


TYPE EVPP-D06



Technical Data		TYPE EVPP-D06	
		Vacuum	Pressure
Nominal displacement	l/m	51,7	102
Ultimate vacuum/pressure	bar	-0,98	+7,0
Motor power	W	320	560
Rotation speed @50Hz	rpm	1450	1380
Weight	kg	9,0	9,0
Noise (at ultimate pressure)	dB(A)	60	64
Admissible ambient temp.	°C	-5 to 40	-5 to 40
Connections	G(BSP)	1/4"	1/4"
Dimensions LxWxH	mm	271x128x191	271x128x191

Ordering Information	EVPP-D06	
EVPP-D06 with 230V, 50Hz motor	670.033	675.033
Damper G1/4"	670.900	
Accessories	See accessories page	