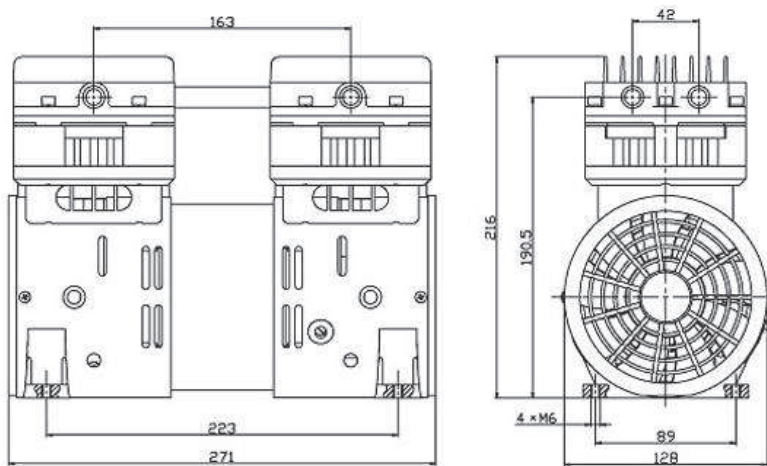
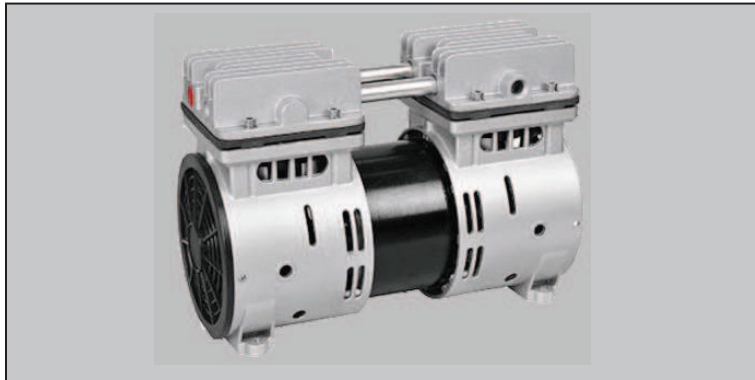


TYPE EVPP-D07



Technical Data		TYPE EVPP-D07	
		Vacuum	Pressure
Nominal displacement	l/m	68,3	135
Ultimate vacuum/pressure	bar	-0,98	+7,0
Motor power	W	430	780
Rotation speed @50Hz	rpm	1450	1380
Weight	kg	10,0	10,0
Noise (at ultimate pressure)	dB(A)	60	64
Admissible ambient temp.	°C	-5 to 40	-5 to 40
Connections	G(BSP)	¼"	¼"
Dimensions LxWxH	mm	271x128x216	271x128x216

Ordering Information	EVPP-D07	
EVPP-D07 with 230V, 50Hz motor	670.034	675.034
Damper G¼"	670.900	
Accessories	See accessories page	