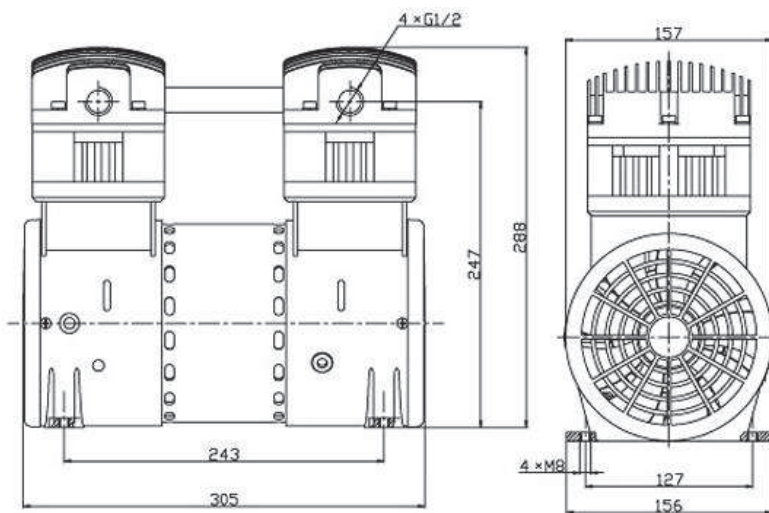


# TYPE EVPP-D08



Technical Data		TYPE EVPP-D08	
		Vacuum	Pressure
Nominal displacement	l/m	100	200
Ultimate vacuum/pressure	bar	-0,98	+8,0
Motor power	W	600	1100
Rotation speed @50Hz	rpm	1450	1380
Weight	kg	17,0	17,0
Noise (at ultimate pressure)	dB(A)	65	70
Admissible ambient temp.	°C	-5 to 40	-5 to 40
Connections	G(BSP)	½"	½"
Dimensions LxWxH	mm	305x156x288	305x156x288

Ordering Information	EVPP-D08	
EVPP-D08 with 230V, 50Hz motor	670.035	675.035
Damper G½"	670.901	
Accessories	See accessories page	