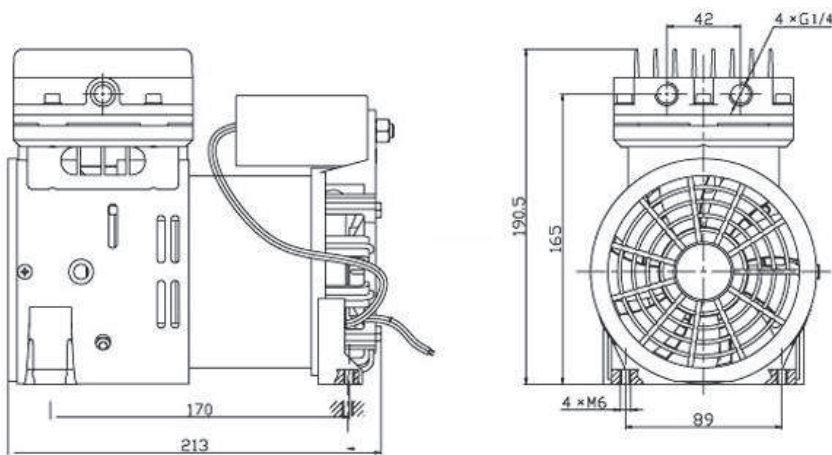


TYPE EVPP-S06



| Technical Data | | TYPE EVPP-S06 | |
|------------------------------|--------|---------------|-------------|
| | | Vacuum | Pressure |
| Nominal displacement | l/m | 51,7 | 51,7 |
| Ultimate vacuum/pressure | bar | -0,91 | +7,0 |
| Motor power | W | 300 | 450 |
| Rotation speed @50Hz | rpm | 1450 | 1400 |
| Weight | kg | 7,0 | 7,0 |
| Noise (at ultimate pressure) | dB(A) | 63 | 68 |
| Admissible ambient temp. | °C | -5 to 40 | -5 to 40 |
| Connections | G(BSP) | 1/4" | 1/4" |
| Dimensions LxWxH | mm | 213x128x191 | 213x128x191 |

| Ordering Information | EVPP-S06 | |
|--------------------------------|----------------------|----------|
| EVPP-S06 with 230V, 50Hz motor | 670.033S | 675.033S |
| Damper G1/4" | 670.900 | |
| Accessories | See accessories page | |