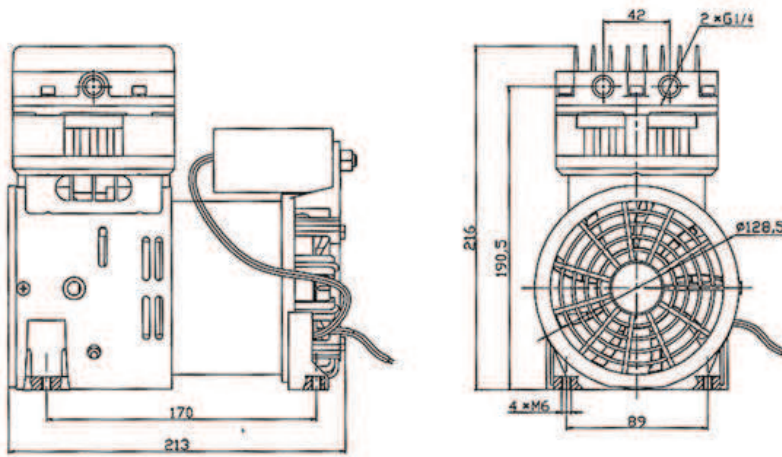


TYPE EVPP-S07



Technical Data		TYPE EVPP-S07	
		Vacuum	Pressure
Nominal displacement	l/m	68,3	68,3
Ultimate vacuum/pressure	bar	-0,91	+7,0
Motor power	W	350	500
Rotation speed @50Hz	rpm	1450	1380
Weight	kg	8,5	8,5
Noise (at ultimate pressure)	dB(A)	63	68
Admissible ambient temp.	°C	-5 to 40	-5 to 40
Connections	G(BSP)	1/4"	1/4"
Dimensions LxWxH	mm	213x128x216	213x128x216

Ordering Information	EVPP-S07	
EVPP-S07 with 230V, 50Hz motor	670.034S	675.034S
Damper G1/4"	670.900	
Accessories	See accessories page	