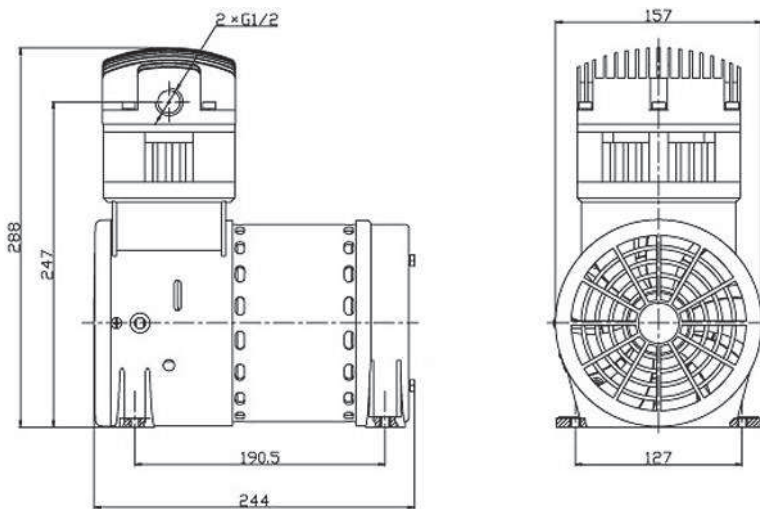


TYPE EVPP-S08



Technical Data		TYPE EVPP-S08	
		Vacuum	Pressure
Nominal displacement	l/m	100	100
Ultimate vacuum/pressure	bar	-0,91	+8,0
Motor power	W	550	820
Rotation speed @50Hz	rpm	1450	1380
Weight	kg	12,0	12,0
Noise (at ultimate pressure)	dB(A)	65	70
Admissible ambient temp.	°C	-5 to 40	-5 to 40
Connections	G(BSP)	½"	½"
Dimensions LxWxH	mm	244x157x288	244x157x288

Ordering Information	EVPP-S08	
EVPP-S08 with 230V, 50Hz motor	670.035S	675.035S
Damper G½"	670.901	
Accessories	See accessories page	