

Welding Flange - Stainless Steel

INFICON ISO-K quality fittings are manufactured according to ISO 1609, DIN 28404 and Pneurop 6606. Our quality large diameter fittings are the standard vacuum components for all vacuum and high vacuum lines. The high quality INFICON fittings are designed and tested for leak rates less than 1×10^{-9} mbar l/s.



BENEFITS

- Competitively priced
- World wide logistics
- Design and measures follow strictly international respected standards
- Surface finish, welds, material specifications and cleanliness meet or exceed high vacuum specifications
- 2011/65/EU RoHS compliant

ORDERING INFORMATION

Type	DN 63 ISO-K	DN 80 ISO-K	DN 100 ISO-K	DN 160 ISO-K	DN 200 ISO-K	DN 250 ISO-K
Welding flange, inox, DN 100 ISO-K			212-032			
Welding flange, inox, DN 160 ISO-K				212-033		
Welding flange, inox, DN 200 ISO-K					212-034	
Welding flange, inox, DN 250 ISO-K						212-035
Welding flange, inox, DN 320 ISO-K						
Welding flange, inox, DN 63 ISO-K	212-031					
Welding flange, inox, DN 80 ISO-K		212-078				

DN 320 ISO-
K

212-036

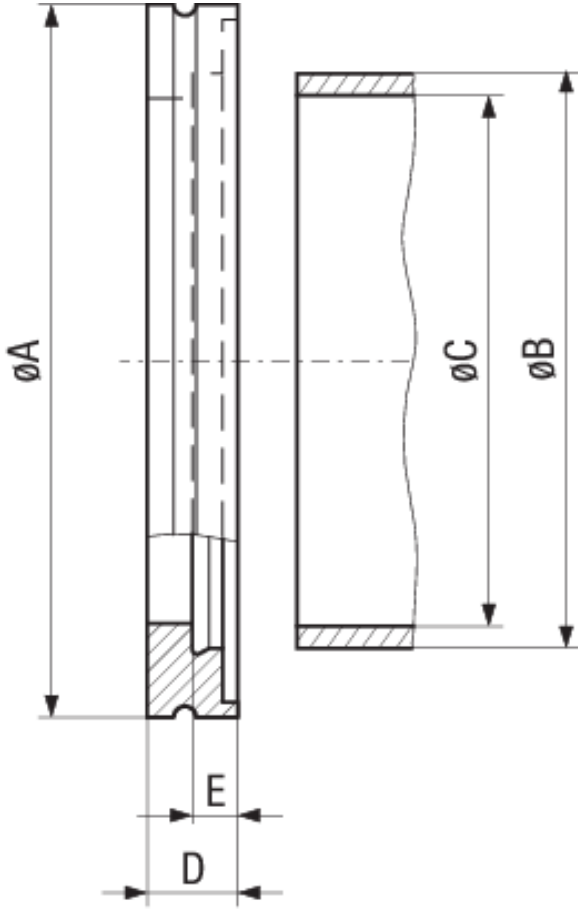
SPECIFICATIONS

Type	DN 63 ISO-K	DN 80 ISO-K	DN 100 ISO-K	DN 160 ISO-K	DN 200 ISO-K	DN 250 ISO-K
Dimension A	95	110	130	180	240	290
Dimension B	76.1	88.9	108	159	219.1	267
Dimension C	71.5	84.9	102	155	213.1	261
Dimension D	12	12	12	12	12	12
Dimension E	6	6	6	6	6	6
Material:	Stainless steel 304/-	Stainless steel 304/-	Stainless steel 304/-	Stainless steel 304/-	Stainless steel 304/-	Stainless steel 304/-

SPECIFICATIONS

Type	DN 320 ISO-K
Dimension A	370
Dimension B	324
Dimension C	318
Dimension D	17
Dimension E	8.5
Material:	Stainless steel 304/-

DIMENSIONS



www.inficon.com reachus@inficon.com

Due to our continuing program of product improvements, specifications are subject to change without notice.
RateWatcher is a trademark of INFICON. All other trademarks are the property of their respective owners.

(2014-09) © 2014 INFICON