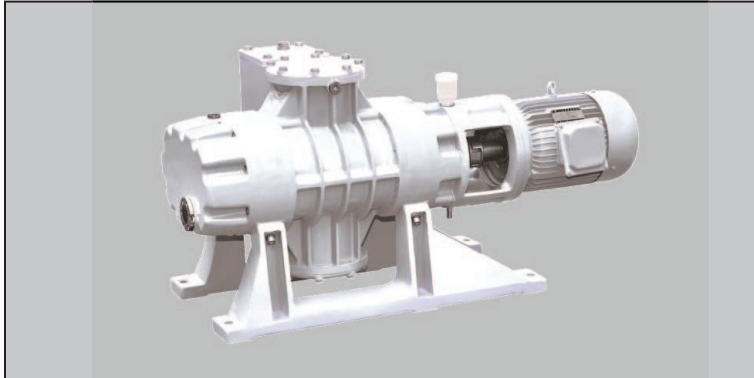
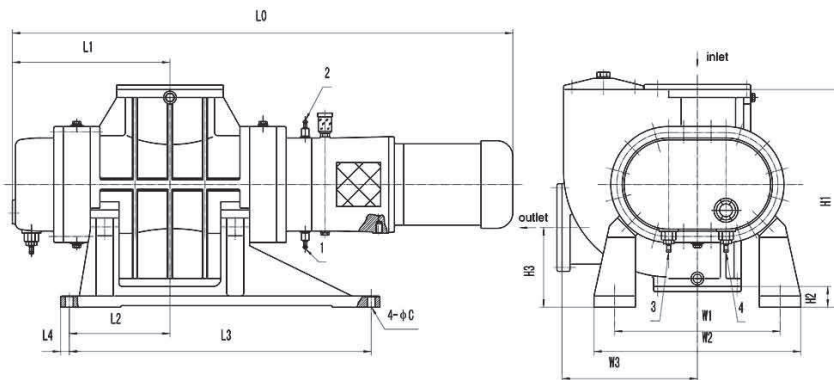
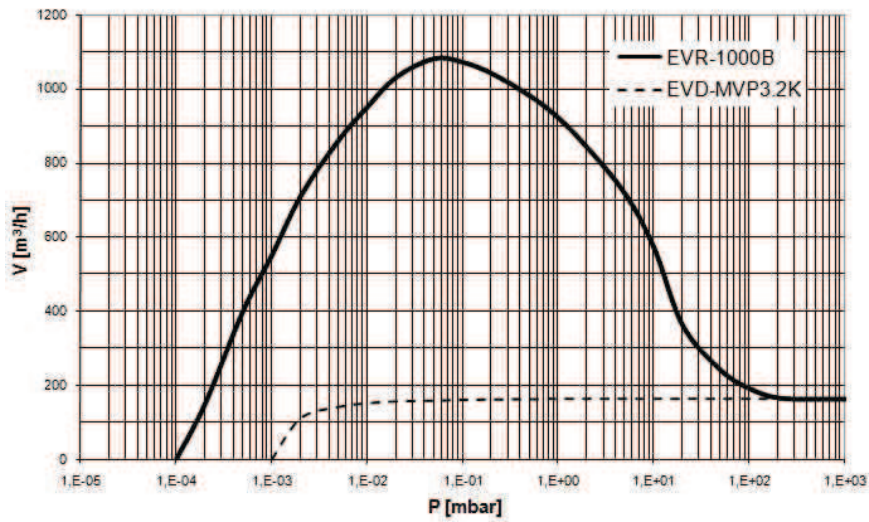


TYPE EVR-1000



Pumping speed curve



Dimensions	L0	L1	L2	L3	L4	H1	H2	H3	W1	W2	W3	4- ϕ C
EVR-1000	1100	325	275	740	20	525	90	215	320	408	285	4- ϕ 18

TYPE EVR-1000

Technical Data		TYPE EVR-1000	
		50 Hz	60 Hz
Nominal pumping speed	m ³ /h	1080	1300
Ultimate total pressure ¹	mbar	3·10 ⁻⁴	3·10 ⁻⁴
ΔP of relieve valve	mbar	58	58
Motor power	kW	4	4
Nominal speed	rpm	2890	3470
Type of protection	IP	55	55
Oil filling for gearbox	ltr	2,8	2,8
Weight (B/M/BM versions)	kg	235 (290/245/300)	235 (290/245/300)
Noise level	dB	74	74
Connection	Inlet	DIN	160
	Outlet	DIN	160

Ordering Information	TYPE EVR-1000	
	50 Hz	60 Hz
EVR-1000 400V, 50/60Hz (IEC) 400V, 60Hz (NEMA)	663.001	663.001 663.003
EVR-1000B with bypass 400V, 50/60Hz (IEC) 400V, 60Hz (NEMA)	663.011	663.011 663.013
EVR-1000M with magnetic drive 400V, 50/60Hz (IEC) 400V, 60Hz (NEMA)	663.021	663.021 663.023
EVR-1000BM with bypass & magnetic drive 400V, 50/60Hz (IEC) 400V, 60Hz (NEMA)	663.031	663.031 663.033
Other Voltages/Frequencies	Upon request	
Filling of gearbox with special oil	Upon request	
Sealing set	663.901	
Maintenance kit	663.902	
Standard Oil filling 5 ltr	100.402	
Adapter set to ISO-K flanges		
Inlet DN 160 ISO-K	663.701	
Outlet DN 160 ISO-K	663.702	