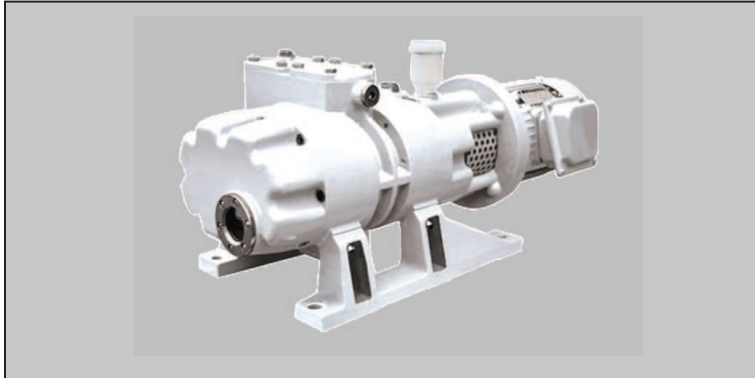
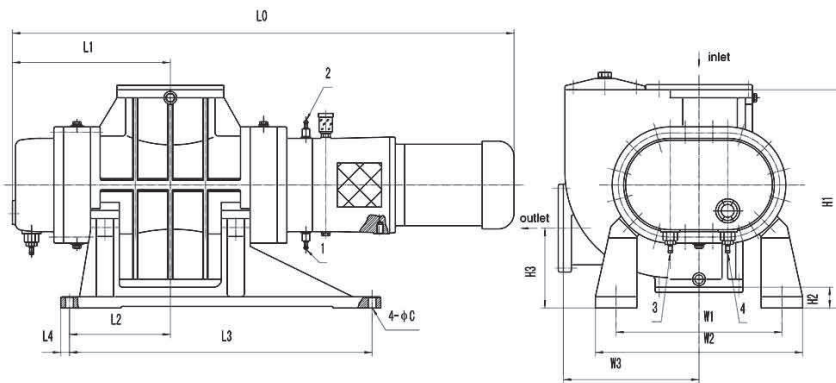
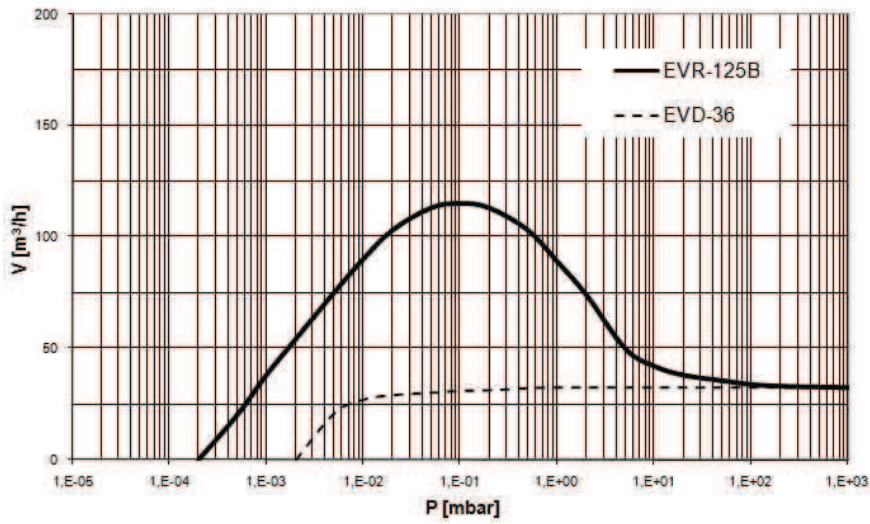


TYPE EVR-125



Pumping speed curve



Dimensions	L0	L1	L2	L3	L4	H1	H2	H3	W1	W2	W3	4-φC
EVR-125	660	175	120	360	15	270	40	100	220	270	145	4-φ14

TYPE EVR-125

Technical Data		TYPE EVR-125	
		50 Hz	60 Hz
Nominal pumping speed	m ³ /h	108	127
Ultimate total pressure ¹	mbar	3·10 ⁻⁴	3·10 ⁻⁴
ΔP of relieve valve	mbar	50	50
Motor power	kW	0,75	0,75
Nominal speed	rpm	2825	3400
Type of protection	IP	55	55
Oil filling for gearbox	ltr	0,8	0,8
Weight (BM-version)	kg	87 (92)	87 (92)
Noise level	dB	68	68
Connection	Inlet	DIN	63
	Outlet	DIN	63

Ordering Information	TYPE EVR-125	
	50 Hz	60 Hz
EVR-125 400V, 50/60Hz (IEC) 400V, 60Hz (NEMA)	660.001	660.001 660.003
EVR-125B with bypass 400V, 50/60Hz (IEC) 400V, 60Hz (NEMA)	660.011	660.011 660.013
EVR-125M with magnetic drive 400V, 50/60Hz (IEC) 400V, 60Hz (NEMA)	660.021	660.021 660.023
EVR-125BM with bypass & magnetic drive 400V, 50/60Hz (IEC) 400V, 60Hz (NEMA)	660.031	660.031 660.033
Other Voltages/Frequencies	Upon request	
Filling of gearbox with special oil	Upon request	
Sealing set	660.901	
Maintenance kit	660.902	
Standard Oil filling 1 ltr	100.400	
Adapter set to ISO-K flanges		
Inlet DN 63 ISO-K	660.701	
Outlet DN 63 ISO-K	660.702	