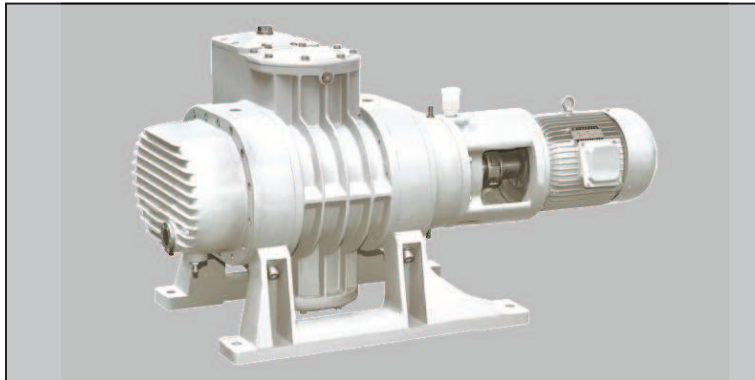
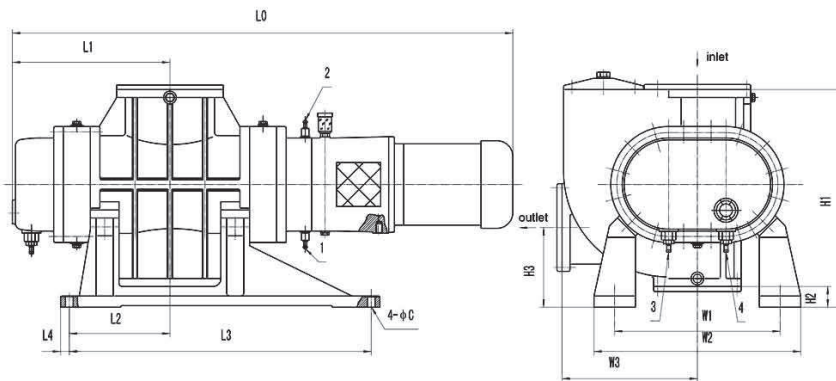
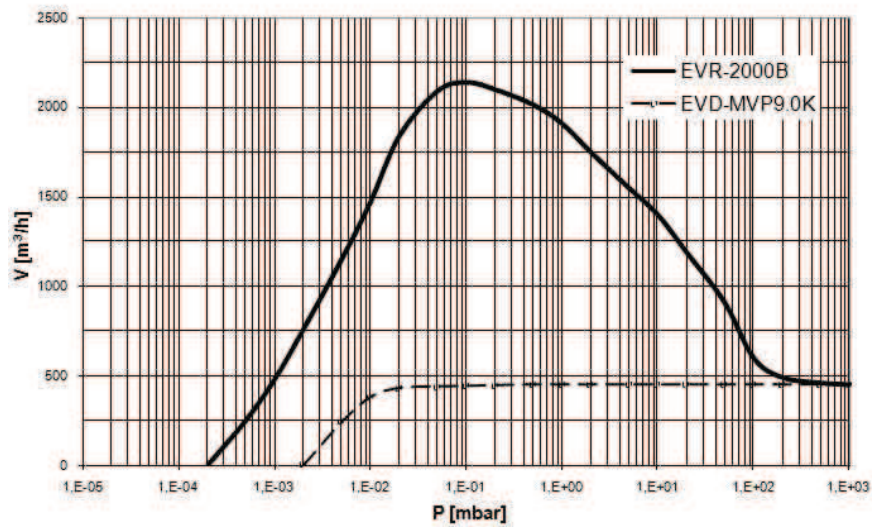


TYPE EVR-2000



Pumping speed curve



Dimensions	L0	L1	L2	L3	L4	H1	H2	H3	W1	W2	W3	4-φC
EVR-2000	1350	375	277,5	760	27,5	673	70	235	480	596	375	4-φ24

TYPE EVR-2000

Technical Data		TYPE EVR-2000	
		50 Hz	60 Hz
Nominal pumping speed	m ³ /h	2160	2590
Ultimate total pressure ¹	mbar	3·10 ⁻⁴	3·10 ⁻⁴
ΔP of relieve valve	mbar	32	32
Motor power	kW	7,5	7,5
Nominal speed	rpm	2900	3480
Type of protection	IP	55	55
Oil filling for gearbox	ltr	7,5	7,5
Weight (B/M/BM versions)	kg	563 (643/575/655)	563 (643/575/655)
Noise level	dB	76	76
Connection	Inlet	DIN	200
	Outlet	DIN	200

Ordering Information	TYPE EVR-2000	
	50 Hz	60 Hz
EVR-2000 400V, 50/60Hz (IEC) 400V, 60Hz (NEMA)	664.001	664.001 664.003
EVR-2000B with bypass 400V, 50/60Hz (IEC) 400V, 60Hz (NEMA)	664.011	664.011 664.013
EVR-2000M with magnetic drive 400V, 50/60Hz (IEC) 400V, 60Hz (NEMA)	664.021	664.021 664.023
EVR-2000BM with bypass & magnetic drive 400V, 50/60Hz (IEC) 400V, 60Hz (NEMA)	664.031	664.031 664.033
Other Voltages/Frequencies	Upon request	
Filling of gearbox with special oil	Upon request	
Sealing set	664.901	
Maintenance kit	664.902	
Standard Oil filling 7,5 ltr	100.401&100.402	
Adapter set to ISO-K flanges		
Inlet DN 200 ISO-K	661.701	
Outlet DN 200 ISO-K	661.702	