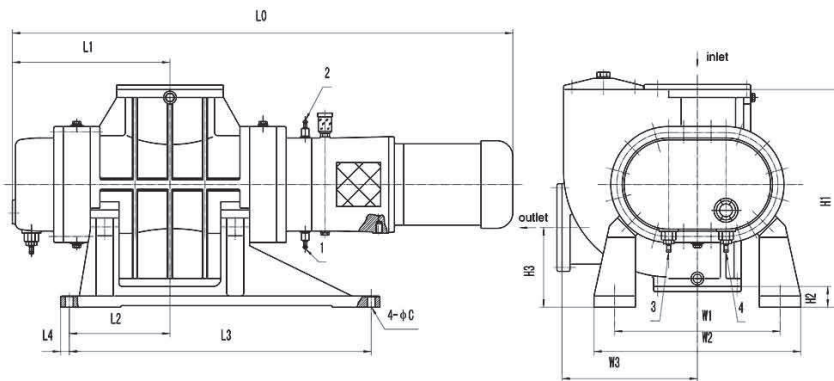
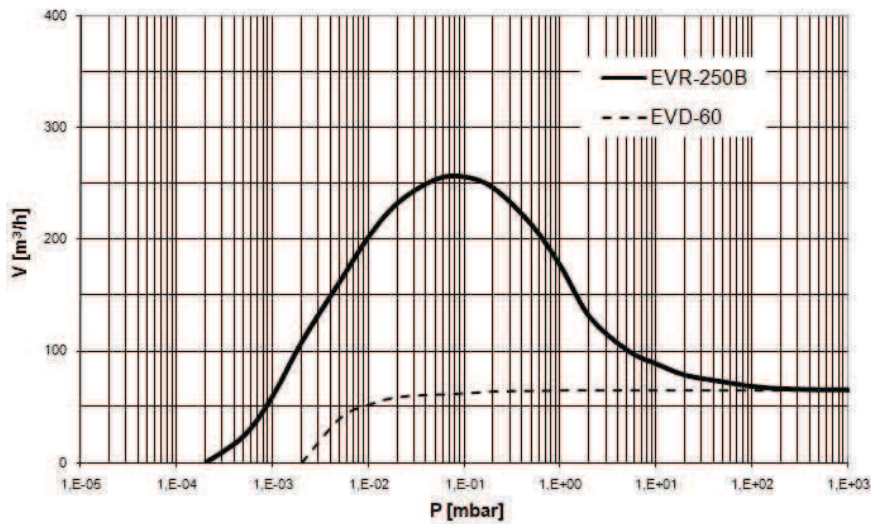


# TYPE EVR-250



**Pumping speed curve**



Dimensions	L0	L1	L2	L3	L4	H1	H2	H3	W1	W2	W3	4-φC
EVR-250	730	210	155	450	15	300	50	130	220	270	165	4-φ14

## TYPE EVR-250

Technical Data		TYPE EVR-250	
		50 Hz	60 Hz
Nominal pumping speed	m <sup>3</sup> /h	250	300
Ultimate total pressure <sup>1</sup>	mbar	3·10 <sup>-4</sup>	3·10 <sup>-4</sup>
ΔP of relieve valve	mbar	50	50
Motor power	kW	1,1	1,1
Nominal speed	rpm	2825	3400
Type of protection	IP	55	55
Oil filling for gearbox	ltr	0,8	0,8
Weight (B/M/BM versions)	kg	89 (100/95/106)	89 (100/95/106)
Noise level	dB	69	69
Connection	Inlet	DIN 80/63	80/63
	Outlet	DIN 63	63

Ordering Information	TYPE EVR-250	
	50 Hz	60 Hz
<b>EVR-250</b> 400V, 50/60Hz (IEC) 400V, 60Hz (NEMA)	661.001	661.001 661.003
<b>EVR-250B with bypass</b> 400V, 50/60Hz (IEC) 400V, 60Hz (NEMA)	661.011	661.011 661.013
<b>EVR-250M with magnetic drive</b> 400V, 50/60Hz (IEC) 400V, 60Hz (NEMA)	661.021	661.021 661.023
<b>EVR-250BM with bypass &amp; magnetic drive</b> 400V, 50/60Hz (IEC) 400V, 60Hz (NEMA)	661.031	661.031 661.033
Other Voltages/Frequencies	Upon request	
Filling of gearbox with special oil	Upon request	
Sealing set	661.901	
Maintenance kit	661.902	
Standard Oil filling 1 ltr	100.400	
Adapter set to ISO-K flanges		
Inlet DN 63 ISO-K	661.701	
Outlet DN 63 ISO-K	661.702	