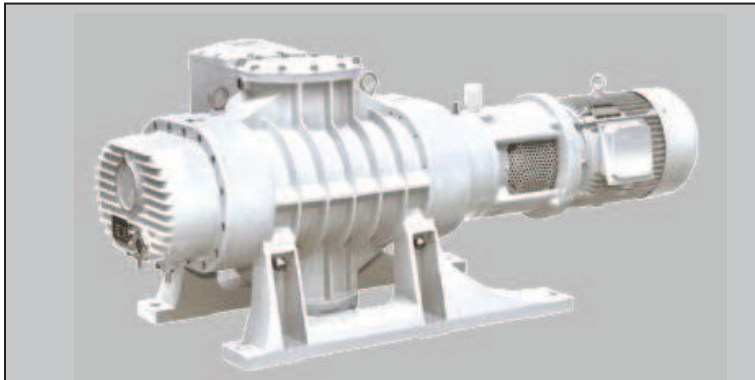
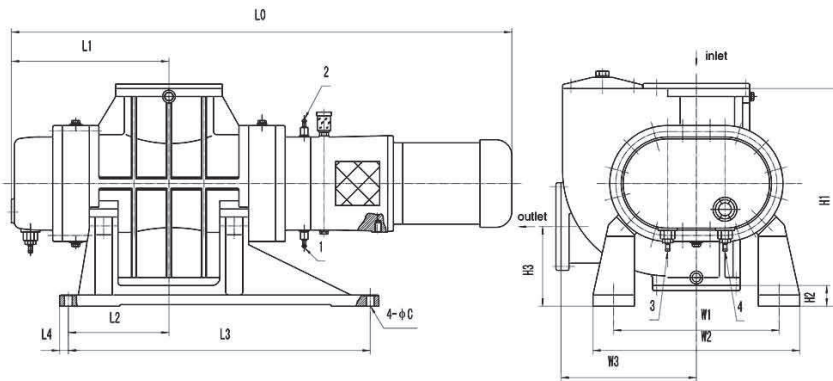
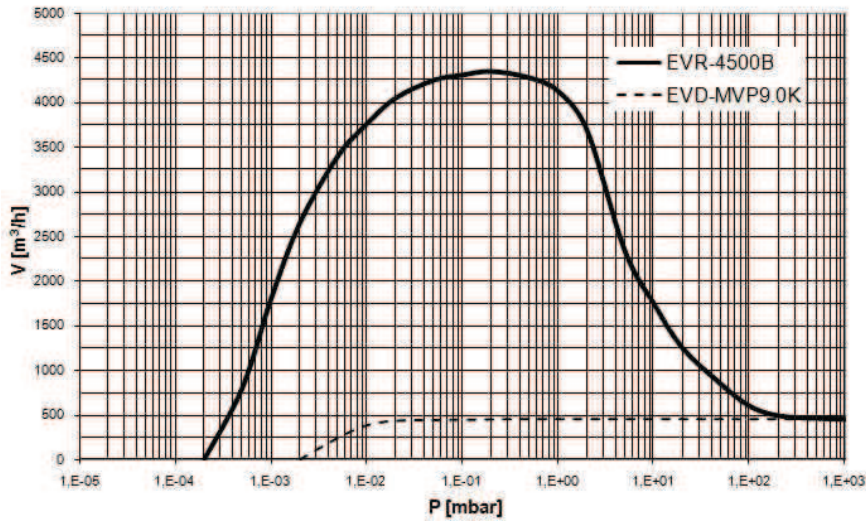


TYPE EVR-4500



Pumping speed curve



Dimensions	L0	L1	L2	L3	L4	H1	H2	H3	W1	W2	W3	4-φC
EVR-4500	1700	500	316	948	26	675	65	250	520	650	430	4-φ24

TYPE EVR-4500

Technical Data		TYPE EVR-4500	
		50 Hz	60 Hz
Nominal pumping speed	m ³ /h	4320	5200
Ultimate total pressure ¹	mbar	3·10 ⁻⁴	3·10 ⁻⁴
ΔP of relieve valve	mbar	44	44
Motor power	kW	11	11
Nominal speed	rpm	2900	3480
Type of protection	IP	55	55
Oil filling for gearbox	ltr	7,5	7,5
Weight (B/M/BM versions)	kg	750 (850/766/866)	750 (850/766/866)
Noise level	dB	78	78
Connection	Inlet	DN 250	DN 250
	Outlet	DN 200	DN 200

Ordering Information	TYPE EVR-4500	
	50 Hz	60 Hz
EVR-4500 400V, 50/60Hz (IEC) 400V, 60Hz (NEMA)	665.001	665.001 665.003
EVR-4500B with bypass 400V, 50/60Hz (IEC) 400V, 60Hz (NEMA)	665.011	665.011 665.013
EVR-4500M with magnetic drive 400V, 50/60Hz (IEC) 400V, 60Hz (NEMA)	665.021	665.021 665.023
EVR-4500BM with bypass & magnetic drive 400V, 50/60Hz (IEC) 400V, 60Hz (NEMA)	665.031	665.031 665.033
Other Voltages/Frequencies	Upon request	
Filling of gearbox with special oil	Upon request	
Sealing set	665.901	
Maintenance kit	665.902	
Standard Oil filling	100.401&100.402	
Adapter set to ISO-K flanges		
Inlet DN 250 ISO-K	665.701	
Outlet DN 200 ISO-K	665.702	