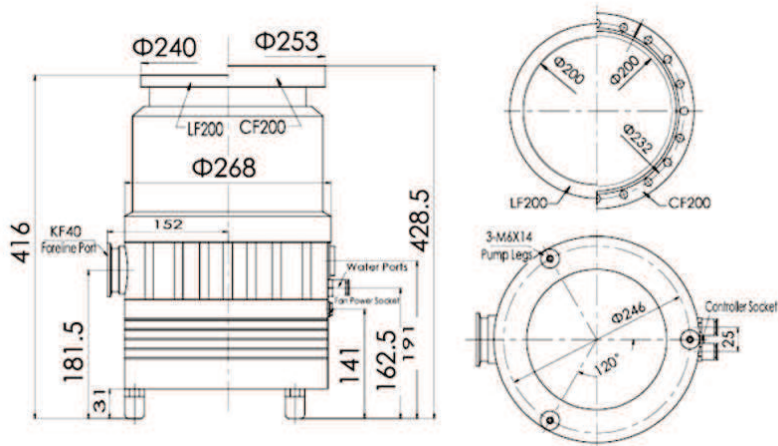
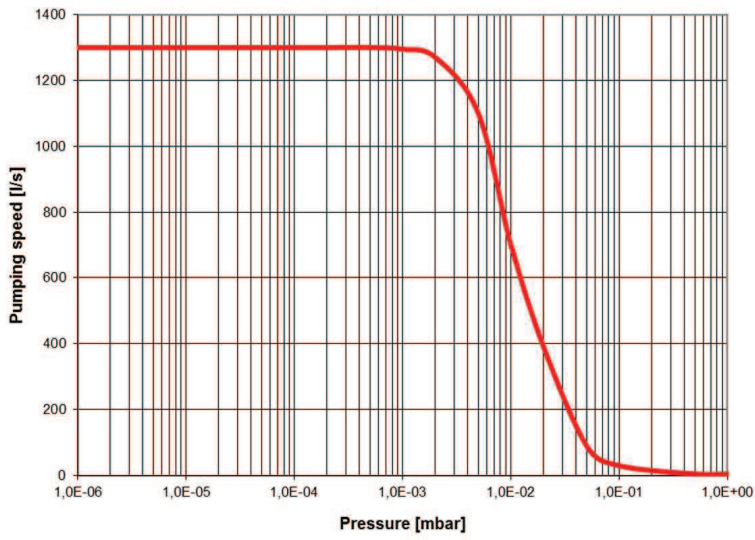


# TYPE EVT-I300FE

air cooled



# TYPE EVT-1300FE

air cooled

Technical Data		TYPE EVT-1300FE	
		1300FE-LF	1300FE-CF
Pump type		Compound/Drag	Compound/Drag
Inlet Flange		200 ISO-K	200 CF
Fore vacuum Flange		40 KF	40 KF
Pumping speed (air)	l/s	1.300	1.300
Pressure for max. speed	mbar	$1 \times 10^{-2}$	$1 \times 10^{-2}$
Rotation Speed	rpm	24.000	24.000
H <sub>2</sub> Compression Ratio		$6 \times 10^3$	$6 \times 10^3$
N <sub>2</sub> Compression Ratio		$1 \times 10^9$	$1 \times 10^9$
Ultimate Vacuum	mbar	$6 \times 10^{-8}$	$6 \times 10^{-9}$
Max. bake-out temp.	°C	100	100
Run up Time	min	< 6	< 6
Control Unit		TCDP-II	TCDP-II
Input Voltage	VAC	220 ±10%	220 ±10%
Cooling medium		Air/Water(option)	Air/Water(option)
Bearing type		Ceramic Grease	Ceramic Grease
Operating Orientation		Any	Any
Weight	kg	33	33

Ordering Information	TYPE EVT-1300FE	
	1300FE-LF	1300FE-CF
<b>Turbo drag pump EVT-1300FE</b> incl. splinter screen	813002	813003
<b>Control unit type TCDP-II</b>	800040	800040
Cable 2,5 m	800011	800011
Cable 5 m	800012	800012
Cable 10 m	800013	800013
Cable 20 m	800014	800014
Other lengths	Upon request	Upon request
Heating jacket 230V AC	-	Upon request
Venting valve NC 230V AC, 50/60Hz	250-533	
Venting valve NC 24V AC, 50/60Hz	250-531	
Venting valve NC 24V, DC	250-530	
Filter for venting valves	215-152	
Venting valve NO 200-230V, 50/60Hz	250-851	
Venting valve NO 24V, DC	250-850	
Delayed venting unit	Upon request	
Recommended pre-vacuum pump: Standard operation Type EVD-48, 400V AC	424902	
Purge gas operation Type EVD-60, 400V AC Also Dry pumps can be used	425902	