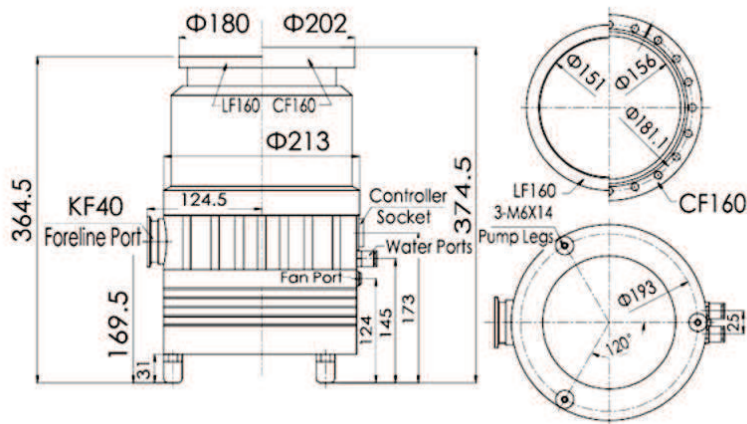
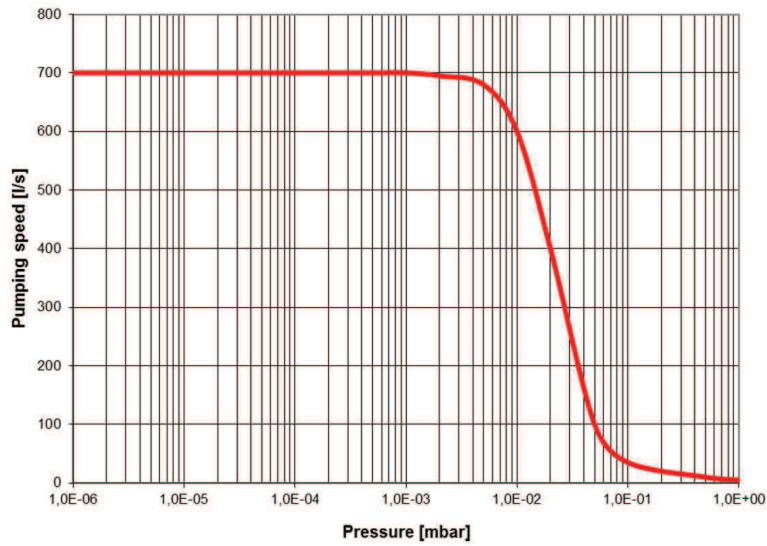




TYPE EVT-700FE

air cooled



TYPE EVT-700FE

air cooled

Technical Data		TYPE EVT-700FE	
		700FE-LF	700FE-CF
Pump type		Compound/Drag	Compound/Drag
Inlet Flange		160 ISO-K	160 CF
Fore vacuum Flange		40 KF	40 KF
Pumping speed (air)	l/s	700	700
Rotation Speed	rpm	36.000	36.000
H ₂ Compression Ratio		6x10 ⁶	6x10 ⁶
N ₂ Compression Ratio		1x10 ⁹	1x10 ⁹
Ultimate Vacuum	mbar	6x10 ⁻⁹	6x10 ⁻¹⁰
Max. bake-out temp.	°C	100	100
Run up Time	min	< 4	< 4
Control Unit		TCDP-II	TCDP-II
Input Voltage	VAC	220/110 ±10%	220/110 ±10%
Cooling medium		Air/Water(option)	Air/Water(option)
Bearing type		Ceramic Grease	Ceramic Grease
Operating Orientation		Any	Any
Weight	kg	23	23

Ordering Information	TYPE EVT-700FE	
	700FE-LF	700FE-CF
Turbo drag pump EVT-700FE incl. splinter screen	807002	807003
Control unit type TCDP-II	800040	800040
Cable 2,5 m	800011	800011
Cable 5 m	800012	800012
Cable 10 m	800013	800013
Cable 20 m	800014	800014
Other lengths	Upon request	Upon request
Heating jacket 230V AC	-	807020
Venting valve NC 230V AC, 50/60Hz	250-533	
Venting valve NC 24V AC, 50/60Hz	250-531	
Venting valve NC 24V, DC	250-530	
Filter for venting valves	215-152	
Venting valve NO 200-230V, 50/60Hz	250-851	
Venting valve NO 24V, DC	250-850	
Delayed venting unit	Upon request	
Recommended pre-vacuum pump: Standard operation Type EVD-24, 230V AC	422901	
Purge gas operation Type EVD-36, 230V AC Also Dry pumps can be used	423901	