

Inlet Dust Filters



These dust filters can be mounted on the intake side of the vacuum pumps to protect the pump against: dust, powders, chips, etc.

The filters consists of a steel housing with a lit and quick locking clamps.

Quick changing of cartridges is possible and the filters have a high separation ratio.

The housings are suitable to be fitted with four different kind of filters:

Paper cartridge

Separates particles down to 1 µm. Specially suitable for dry processes. We use this filter as standard.

Polyester cartridge

Separates particles down to 10 µm. Specially suitable for moist processes.

Metal cartridge

Separates particles down to 0,08 mm, like pieces of: plastic, paper, food, etc

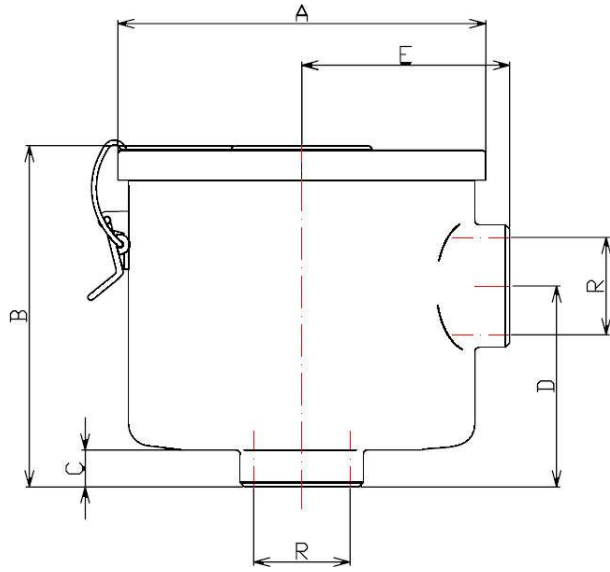
Activated charcoal cartridge

Absorbs vapours of high molecular weight, like: acid and solvent vapours, alkaline solutions, etc.

Dust Filter	Housing with paper cartridge	Paper cartridge	Polyester cartridge	Metal cartridge	Activated charcoal cartridge
G 3/8"	01800	018001	018101	-	-
G 1/2"	02800	028001	028101	028201	028301
G 3/4"	03800	028001	028101	028201	028301
G 1"	04800	048001	-	-	-
G 1 1/4"	20800	208001	208101	208201	208301
G 1 1/2"	602025	6020251	6020252	6020253	6020254
G 2"	50800	508001	508101	508201	508301
G 3"	120800	1208001	1208101	1208201	1208301
G 4"	140039	128001	128101	128201	128301



Eurovacuum



Type	Dimensions in mm						Weight kg	Max. flow rate in m ³ /h
	øR	øA	B	C	D	E		
01800	G 3/8"	80	66	12	39	45	0,25	24
02800	G 1/2"	110	76	14	53	54	0,56	36
03800	G 3/4"	110	76	14	53	54	0,56	36
04800	G 1"	133	85	17	53	78	0,96	85
20800	G 1 1/4"	170	141	17	93	96	1,75	144
602025	G 1 1/2"	170	170	18	124	100	2,1	192
50800	G 2"	200	240	18	124	114	3,8	300
120800	G 3"	270	180	50	145	165	12,5	550
140039	G 4"	270	180	50	145	165	13,8	720