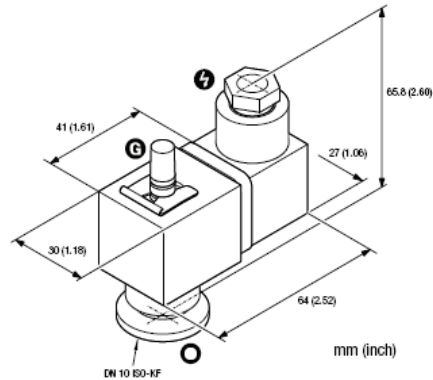


# POWER FAILURE VENTING VALVE

Normally open



| Technical Data                 |          | WIM010-A           |                    |
|--------------------------------|----------|--------------------|--------------------|
|                                |          | AC type            | DC type            |
| Vacuum connections             |          | DN10KF             | DN10KF             |
| Venting time for 50 ltr vessel | sec      | 270                | 270                |
| Tightness                      | mbar·l/s | $1 \times 10^{-7}$ | $1 \times 10^{-7}$ |
| Ambient temperature            | °C       | 0 – 50             | 0 – 50             |
| Switching frequency            | 1/min    | 60                 | 60                 |
| Service life                   | Cycles   | 3.000.000          | 3.000.000          |
| Opening time                   | ms       | 30                 | 30                 |
| Closing time                   | ms       | 30                 | 30                 |
| Nominal power Pickup           | W / VA   | - / 5              | 2,5 / -            |
| Nominal power Holding          | W / VA   | - / 3,7            | 2,5 / -            |
| Protection class               |          | IP 65              | IP 65              |
| Housing                        |          | Aluminum           | Aluminum           |
| Seals                          |          | FPM                | FPM                |
| Weight                         | kg       | 0,1                | 0,1                |

| Ordering Information     | WIM010-A |
|--------------------------|----------|
| 200 - 250 V AC, 50/60 Hz | 250-851  |
| 115 V AC, 50/60 Hz       | 250-852  |
| 24 V DC                  | 250-850  |