

Reducer CF-F / CF-R - Stainless Steel 304L

INFICON CF quality fittings are manufactured according to ISO 3669 and the latest TS/ ISO 3669-2 standard. INFICON Ultra high vacuum fittings are designed for applications down to 1×10^{-12} mbar and bakeout temperatures up to 400°C.

BENEFITS

- World wide logistics
- Design and measures follow strictly international respected standards
- Surface finish, welds, material specifications and cleanliness meet or exceed high vacuum specifications
- 2011/65/EU RoHS compliant



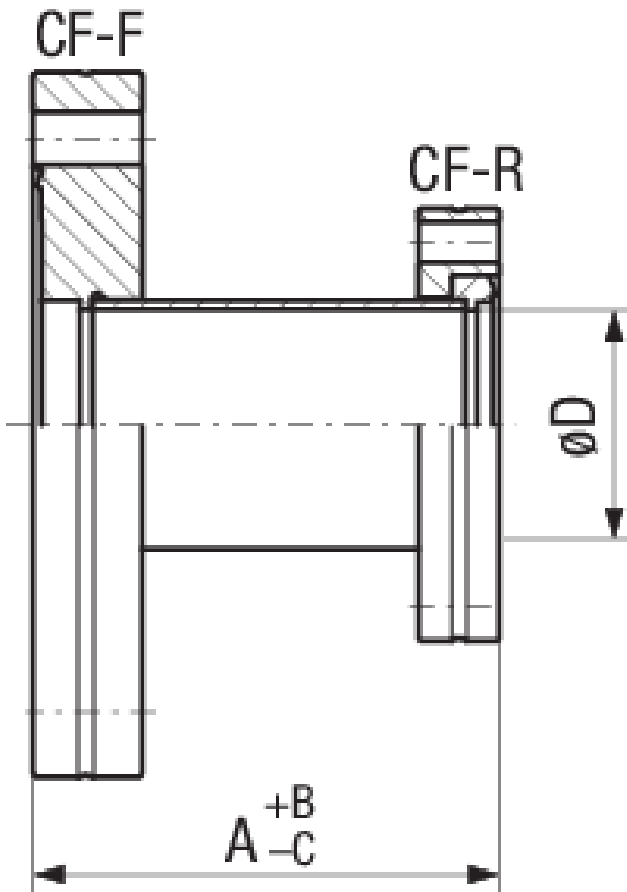
ORDERING INFORMATION

Type	DN 40/16 CF	DN 63/40 CF	DN 100/40 CF	DN 100/63 CF	DN 160/100 CF
Reducing piece DN 100/40 CF			213-225		
Reducing piece DN 100/63 CF				213-226	
Reducing piece DN 160/100 CF					213-230
Reducing piece DN 40/16 CF	213-221				
Reducing piece DN 63/40 CF		213-223			

SPECIFICATIONS

Type	DN 40/16 CF	DN 63/40 CF	DN 100/40 CF	DN 100/63 CF	DN 160/100 CF
Dimension A	45	75	75	95	105
Dimension B	1	1	1	1	1.5
Dimension C	1	1	1	1	1.5
Dimension D	16	37	37	66	104
Material:	Stainless steel 304L / 1.4306	Stainless steel 304L / 1.4306	Stainless steel 304L / 1.4306	Stainless steel 304L / 1.4306	Stainless steel 304L / 1.4306

DIMENSIONS



www.inficon.com reachus@inficon.com

Due to our continuing program of product improvements, specifications are subject to change without notice. RateWatcher is a trademark of INFICON. All other trademarks are the property of their respective owners.

(2014-09) © 2014 INFICON