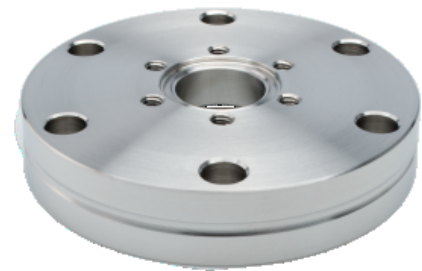


Reducing Flange CF-F / CF-F - Stainless Steel 316LN

INFICON CF quality fittings are manufactured according to ISO 3669 and the latest TS/ ISO 3669-2 standard. INFICON Ultra high vacuum fittings are designed for applications down to 1×10^{-12} mbar and bakeout temperatures up to 400°C.



BENEFITS

- World wide logistics
- Design and measures follow strictly international respected standards
- Surface finish, welds, material specifications and cleanliness meet or exceed high vacuum specifications
- 2011/65/EU RoHS compliant

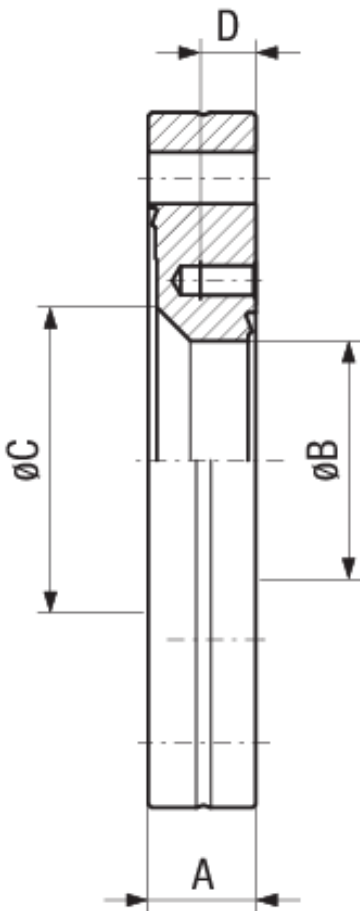
ORDERING INFORMATION

Type	DN 40/16 CF	DN 63/40 CF	DN 100/40 CF	DN 100/63 CF	DN 160/40 CF	DN 160/100 CF
Reducing flange DN 100/63CF-F,				213-176		
Reducing flange DN 160/100 CF-F						213-180
Reducing flange DN 160/40CF-F,					213-178	
Reducing flange DN 40/16CF-F,	213-171					
Reducing flange DN 63/40CF-F,		213-173				
Reducing flange DN 100/40CF-F,			213-175			

SPECIFICATIONS

Type	DN 40/16 CF	DN 63/40 CF	DN 100/40 CF	DN 100/63 CF	DN 160/40 CF	DN 160/100 CF
Dimension A	13	17.5	20	20	22	22
Dimension B	16	39	39	66	39	104
Dimension C	22	50	55	85	60	120
Dimension D	5.5	9	9	11	9	11
Dimension E	6 x M4	6 x M6	6 x M6	8 x M8	6 x M6	16 x M8
Material:	Stainless Steel 316LN / 1.4429	Stainless Steel 316LN / 1.4429	Stainless Steel 316LN / 1.4429	Stainless Steel 316LN / 1.4429	Stainless Steel 316LN / 1.4429	Stainless Steel 316LN / 1.4429

DIMENSIONS



www.inficon.com reachus@inficon.com

Due to our continuing program of product improvements, specifications are subject to change without notice. RateWatcher is a trademark of INFICON. All other trademarks are the property of their respective owners.

(2014-09) © 2014 INFICON